

IMPULSE·G+ & VG+ *Series 4*

Adjustable Frequency/Vector Crane Controls

Digital Input Installation Manual



MAGNETEK
MATERIAL HANDLING

August 2011
Part Number: 144-23918
© Copyright 2011 Magnetek

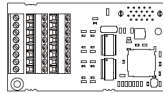
1. Preface and Safety

Magnetek manufactures products used as components in a wide variety of industrial systems and equipment. The selection and application of Magnetek products remain the responsibility of the equipment manufacturer or end user. Magnetek accepts no responsibility for the way its products are incorporated into the final system design. Under no circumstances should any Magnetek product be incorporated into any product or design as the exclusive or sole safety control. Without exception, all controls should be designed to detect faults dynamically and fail safely under all circumstances. All systems or equipment designed to incorporate a product manufactured by Magnetek must be supplied to the end user with appropriate warnings and instructions as to the safe use and operation of that part. Any warnings provided by Magnetek must be promptly provided to the end user. Magnetek offers an express warranty only as to the quality of its products in conforming to standards and specifications published in the Magnetek manual. **NO OTHER WARRANTY, EXPRESS OR IMPLIED, IS OFFERED.** Magnetek assumes no liability for any personal injury, property damage, losses, or claims arising from misapplication of its products.

Applicable Documentation

The following manuals are available for the option:

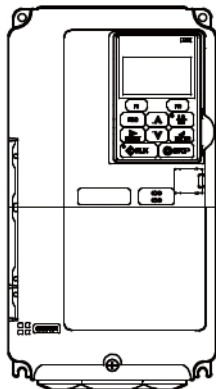
Digital Input DI-A3 Option



**IMPULSE®•G+/VG+ Series 4
Digital Input DI-A3 Installation
Manual
Manual No: 144-23918**

Read this manual first.
The installation manual is packaged with the option and contains information required to install the option and set up related drive parameters.

IMPULSE•G+/VG+ Series 4 Drive



**IMPULSE®•G+/VG+ Series 4
Quick Start Guide**

The drive manuals cover basic installation, wiring, operation procedures, functions, troubleshooting, and maintenance information. The manuals also include important information about parameter settings and drive tuning.

Access <http://www.magnetekmh.com> to obtain Magnetek instruction manuals,

**IMPULSE®•G+/VG+ Series 4
Instruction Manual**

Terms

Drive: IMPULSE®•G+/VG+ Series 4

Option: IMPULSE®•G+/VG+ Series 4 Option Digital Input DI-A3

DIO: Digital Input Option

MFDI: Multi-Function Digital Input

Registered Trademarks

Trademarks are the property of their respective owners.

Supplemental Safety Instructions

Read and understand this manual before installing, operating, or servicing this option. Install the option according to this manual and local codes.

The following conventions indicate safety messages in this manual. Failure to heed these messages could cause fatal injury or damage products and related equipment and systems.



DANGER

DANGER indicates an imminently hazardous situation which, if not avoided, will result in death or serious injury. This signal word is to be limited to the most extreme situations.



WARNING

WARNING indicates a potentially hazardous situation which, if not avoided, could result in death or serious injury.



CAUTION

CAUTION indicates a potentially hazardous situation which, if not avoided, could result in minor or moderate injury. It may also be used to alert against unsafe practices.

NOTICE

NOTICE indicates an equipment damage message.

NOTE: A *NOTE* statement is used to notify installation, operation, programming, or maintenance information that is important, but not hazard-related.

General Safety

General Precautions

- The diagrams in this book may include options and drives without covers or safety shields to illustrate details. Be sure to reinstall covers or shields before operating any devices. Use the option according to the instructions described in this manual.
- Any illustrations, photographs, or examples used in this manual are provided as examples only and may not apply to all products to which this manual is applicable.
- The products and specifications described in this manual or the content and presentation of the manual may be changed without notice to improve the product and/or the manual.
- When ordering new copies of the manual, contact a Magnetek representative and provide the manual number shown on the front cover.



DANGER

Heed the safety messages in this manual.
Failure to comply will result in death or serious injury.

The operating company is responsible for any injuries or equipment damage resulting from failure to heed the warnings in this manual.

NOTICE

Do not modify the drive or option circuitry.
Failure to comply could result in damage to the drive or option and will void warranty. Magnetek is not responsible for any modification of the product made by the user. This product must not be modified.

Do not expose the drive or option to halogen group disinfectants.
Failure to comply may cause damage to the electrical components in the drive or option.
Do not pack the drive in wooden materials that have been fumigated or sterilized.
Do not sterilize the entire package after the product is packed.

2. Product Overview

About This Product

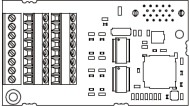
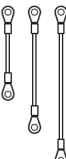


The Digital Input Option DI-A3 allows the user to expand the number of drive multi-function digital inputs. The input signal is +24 Vdc 8mA isolated input.

3. Receiving

Please perform the following tasks upon receiving the option:

- Inspect the option for damage. Contact the shipper immediately if the option appears damaged upon receipt.
- Verify receipt of the correct model by checking the model number printed on the option nameplate (refer to Figure 1 on page 7 for more information).
- Contact your supplier if you have received the wrong model or the option does not function properly.

Option Package Contents

| Description: | Option | Ground Wires | Screws (M3) | Installation Manual |
|--------------|---|---|---|---|
| -- |  |  |  |  |
| Quantity | 1 | 3 | 3 | 1 |

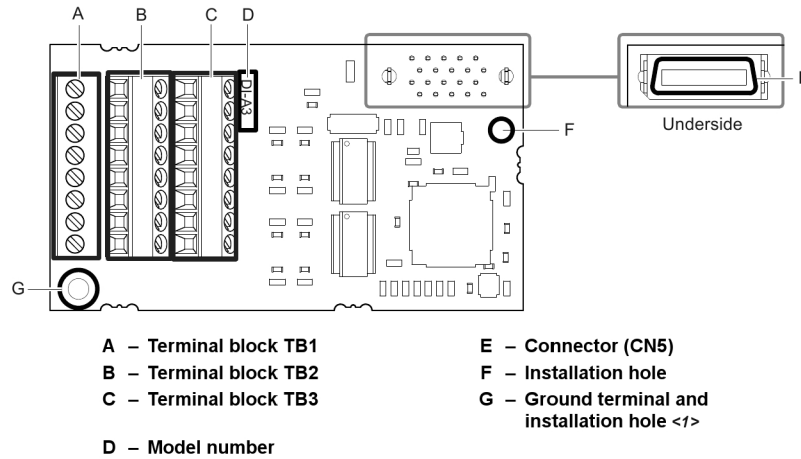
Tools Required for Installation

- A Phillips screwdriver (M3 metric / #1, #2 U.S. standard size) is required to install the option.
- A straight-edge screwdriver (blade depth: 0.015" [0.4 mm], width: 0.098" [2.5 mm]) is required to wire the option terminal block.
- A pair of diagonal cutting pliers.
- A small file or medium-grit sandpaper.

NOTE: Tools required to prepare option cables for wiring are not listed in this manual.

4. Option Components

Digital Input DI-A3 Option



<1> The ground wires provided in the option shipping package must be connected during installation.

Figure 1: Digital Input DI-A3 Option

Terminal Blocks TB1, TB2, and TB3

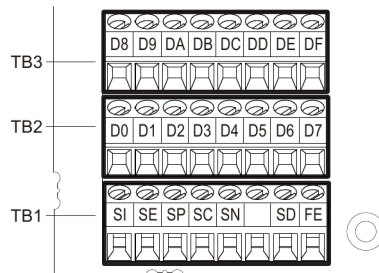


Figure 2: Terminal Blocks TB1, TB2, and TB3

Refer to Table 3 on page 20 for details on TB1, TB2, and TB3 terminal functions and signal levels.

5. Installation Procedure

Section Safety



DANGER

Electric Shock Hazard

Do not connect or disconnect wiring while the power is on.

Failure to comply will result in death or serious injury.

Disconnect all power to the drive and wait at least the amount of time specified on the drive front cover safety label. After all indicators are off, measure the DC bus voltage to confirm safe level, and check for unsafe voltages. The internal capacitor remains charged after the power supply is turned off.



WARNING

Electrical Shock Hazard

Do not remove the front cover of the drive while the power is on.

Failure to comply could result in death or serious injury.

The diagrams in this section may include options and drives without covers or safety shields to show details. Be sure to reinstall covers or shields before operating any devices. Use the option according to the instructions described in this manual.

Do not allow unqualified personnel to use equipment.

Failure to comply could result in death or serious injury.

Maintenance, inspection, and replacement of parts must be performed only by authorized personnel familiar with installation, adjustment, and maintenance of this product.

Do not touch circuit boards while the power to the drive is on.

Failure to comply could result in death or serious injury.

Do not use damaged wires, place excessive stress on wiring, or damage the wire insulation.

Failure to comply could result in death or serious injury.

Fire Hazard

Tighten all terminal screws to the specified tightening torque.

Loose electrical connections could result in death or serious injury by fire due to overheating of electrical connections.

NOTICE

Damage to Equipment

Observe proper electrostatic discharge (ESD) procedures when handling the option, drive, and circuit boards.

Failure to comply may result in ESD damage to circuitry.

Never shut the power off while the drive is running or outputting voltage.

Failure to comply may cause the application to operate incorrectly or damage the drive.

Do not operate damaged equipment.

Failure to comply may cause further damage to the equipment.

Do not connect or operate any equipment with visible damage or missing parts.

Do not use unshielded cable for control wiring.

Failure to comply may cause electrical interference resulting in poor system performance.

Use shielded twisted-pair wires and ground the shield to the ground terminal of the drive.

Properly connect all pins and connectors.

Failure to comply may prevent proper operation and possibly damage equipment.

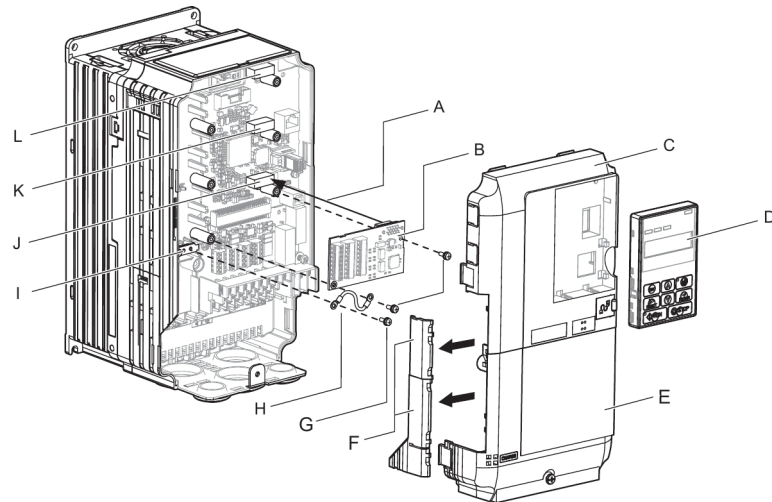
Check wiring to ensure that all connections are correct after installing the option and connecting any other devices.

Failure to comply may result in damage to the option.

Prior to Installing the Option

Prior to installing the option, wire the drive, make the necessary connections to the drive terminals, and verify that the drive functions normally. Refer to the Quick Start Guide packaged with the drive for information on wiring and connecting the drive.

Figure 3 shows an exploded view of the drive with the option and related components for reference.



- | | |
|-------------------------------------|-----------------------------------|
| A – Insertion point for CN5 | G – Included screws |
| B – Option card | H – Ground wire |
| C – Front cover | I – Drive grounding terminal (FE) |
| D – Digital operator | J – Connector CN5-A |
| E – Terminal cover | K – Connector CN5-B |
| F – Removable tabs for wire routing | L – Connector CN5-C |

Figure 3: Drive Components with Option

Installing the Option

Refer to the instructions below to install the option.

1. Shut off power to the drive, wait the appropriate amount of time for voltage to dissipate, then remove the digital operator (D) and front covers (C, E). Refer to the Quick Start Guide packaged with the drive for directions on removing the covers. Cover removal varies depending on drive size.



DANGER

Electrical Shock Hazard.

Disconnect all power to the drive and wait at least the amount of time specified on the drive front cover safety label. After all indicators are off, measure the DC bus voltage to confirm safe level, and check for unsafe voltages before servicing to prevent electric shock. The internal capacitor remains charged even after the power supply is turned off.

NOTICE

Damage to Equipment

Observe proper electrostatic discharge procedures (ESD) when handling the option, drive, and circuit boards. Failure to comply may result in ESD damage to circuitry.

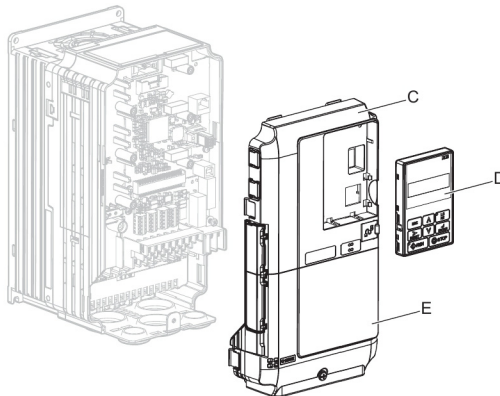


Figure 4: Remove the Front Covers and Digital Operator

2. Insert the option card (B) into the CN5-A (J), CN5-B (K), or CN5-C (L) connector located on the drive and fasten it into place using one of the included screws (F).

NOTE: *Install the option to ports CN5-B and CN5-C on the drive for monitoring purposes only and input levels will be displayed in monitor U1-17. The option will not set the frequency reference or replace the drive analog input with higher resolution inputs when connected to ports CN5-B or CN5-C.*

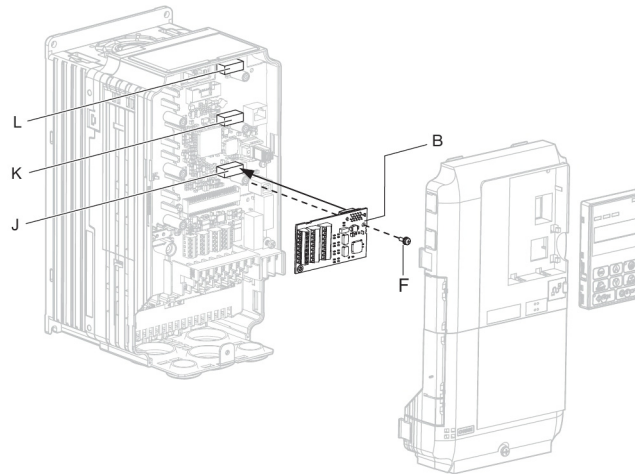


Figure 5: Insert the Option Card

3. Connect one end of the ground wire (H) to the ground terminal (I) using one of the remaining screws (G). Connect the other end of the ground wire (H) to the remaining ground terminal and installation hole on the option (B) using the last remaining provided screw (G).

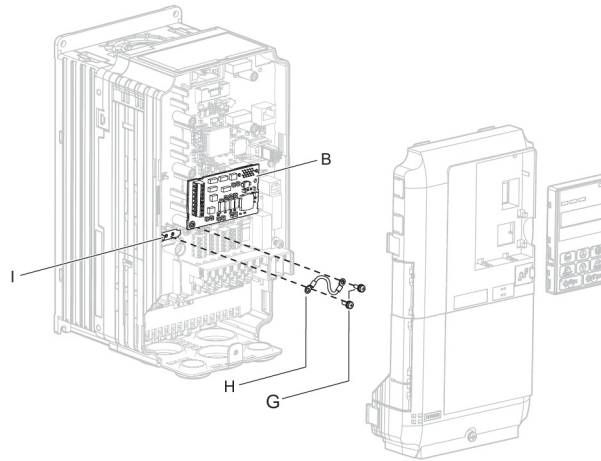


Figure 6: Connect the Ground Wire

NOTE: 1. The option package includes three ground wires. Use the longest wire when plugging the option into connector CN5-C on the drive side. Use the next longest wire when plugging the option into connector CN5-B. Use the shortest wire when plugging the option into connector CN5-A. Refer to Option Package Contents on page 6 for more information.
2. There are two screw holes on the drive for use as ground terminals (I). When connecting three options, two ground wires will need to share the same drive ground terminal.

4. Prepare and connect the wire ends as shown in Figure 7 and Figure 8. Refer to Wire Gauges, Tightening Torques, and Crimp Terminals on page 19 to confirm that the proper tightening torque is applied to each terminal. Take particular precaution to ensure that each wire is properly connected and wire insulation is not accidentally pinched into electrical terminals.



WARNING

Fire Hazard.

Tighten terminal screws to the specified tightening torque. Loose electrical connections could result in death or serious injury by fire due to overheating. Tightening screws beyond the specified tightening torque may cause erroneous operation, damage the terminal block, or cause a fire.

NOTICE

Heat shrink tubing or electrical tape may be required to ensure that cable shielding does not contact other wiring. Insufficient insulation may cause a short circuit and damage the option or drive.

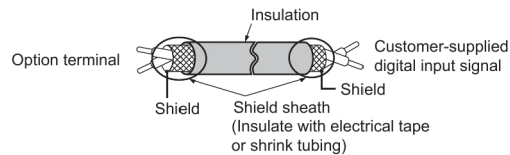


Figure 7: Preparing Ends of Shielded Cable

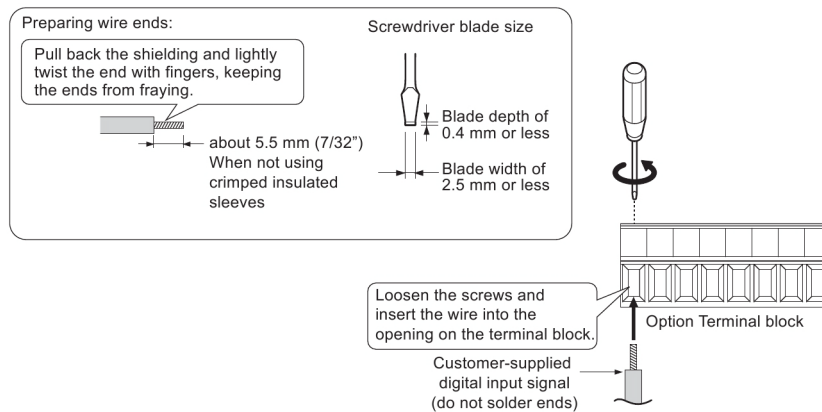


Figure 8: Preparing and Connecting Cable Wiring

5. Wire the customer-supplied digital input signal to the terminal blocks on the option. Refer to Figure 9 for wiring instructions.

Connection Diagram

Refer to Table 3 on page 20 for a detailed description of the option board terminal functions. To ensure accurate control, use a stable power supply for the voltage reference source.

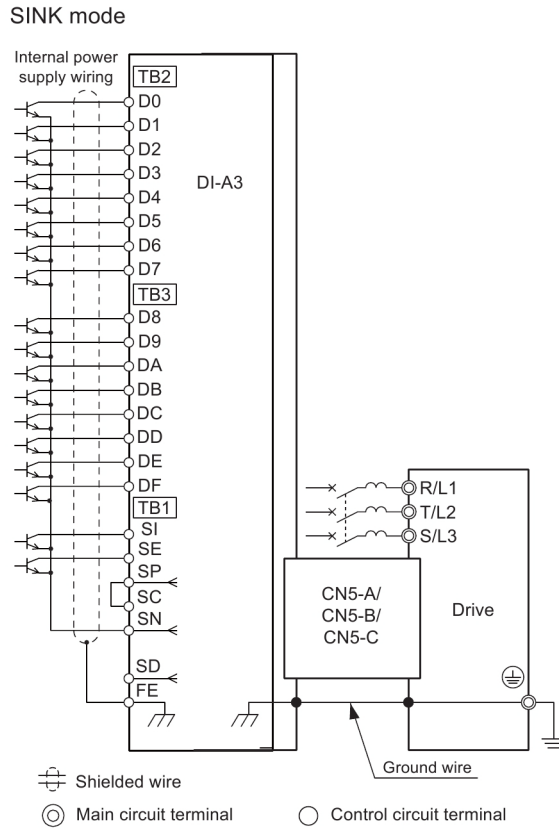


Figure 9: Option Connection Diagram

6. Set the option for SINK mode or SOURCE mode depending on the application.

SINK Mode

- To use the internal power supply of the drive, connect a wire jumper between terminals SP and SC.
- To use an external power supply, connect the positive lead from the power supply to terminal SC on the option. Do not connect the negative lead to terminal SN on the option.

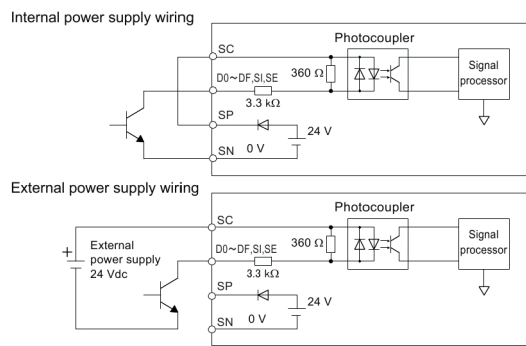


Figure 10: SINK Mode Connection Diagram

SOURCE Mode

- To use internal power supply of the drive, short terminals SN and SC.
- To use an external power supply, connect the negative lead from the power supply to terminal SC on the option. Do not connect the positive lead to terminal SP.

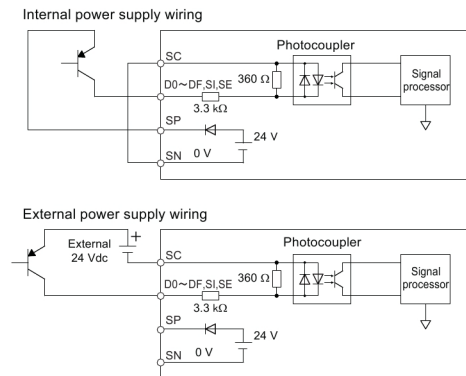


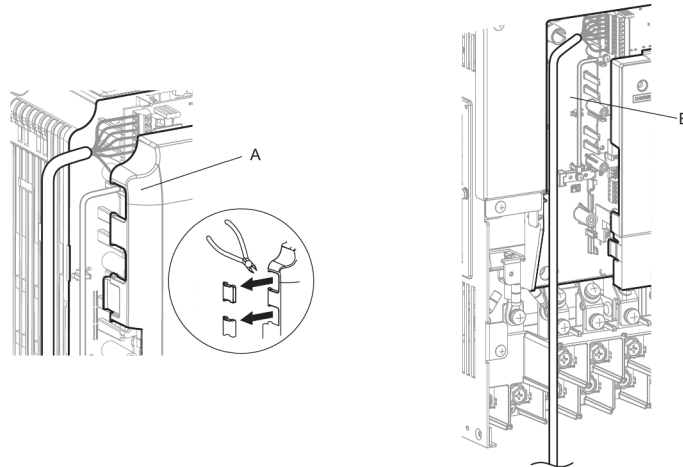
Figure 11: SOURCE Mode Connection Diagram

7. Route the option wiring.

Depending on the drive model, some drives may require routing the wiring through the side of the front cover to the outside. In these cases, cut out the perforated openings on the left side of the drive front cover as shown in Figure 12-A and leave no sharp edges to damage wiring.

Route the wiring inside the enclosure as shown in Figure 12-B for drives that do not require routing through the front cover.

Refer to the IMPULSE®•G+/VG+ Series 4 Instruction Manual for more information.



A – Route wires through the openings provided on the left side of the front cover. <1>

B – Use the open space provided inside the drive to route option wiring.

<1> The drive will not meet NEMA Type 1 requirements if wiring is exposed outside the enclosure.

Figure 12: Wire Routing Examples

8. Replace and secure the front covers of the drive (C, E) and replace the digital operator (D).

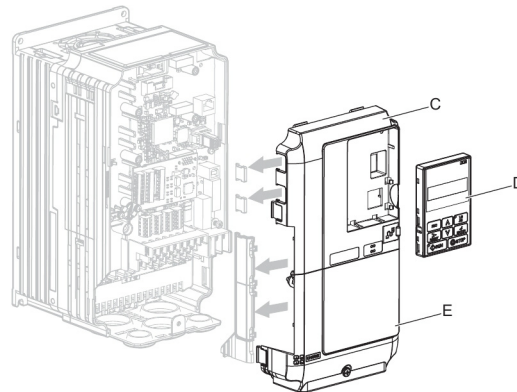


Figure 13: Replace the Front Covers and Digital Operator

NOTE: Take proper precautions when wiring the option so that the front covers will easily fit back onto the drive. Make sure cables are not pinched between the front covers and the drive when replacing the covers.

9. Set drive parameters in Table 4 for proper option performance.

Wire Gauges, Tightening Torques, and Crimp Terminals

Wire Gauges and Tightening Torques

Wire gauge and torque specifications are listed in Table 1.

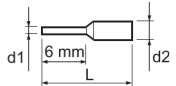
Table 1: Wire Gauges and Tightening Torques

| Terminal Size | Screw Size | Tightening Torque N-m (in-lb) | Bare Cable | | Crimp Terminals | | Wire Type |
|--|------------|--------------------------------|---|-------------------------------|-----------------------------------|-------------------------------|--------------------------|
| | | | Applicable Gauges mm ² | Recomm. Gauge mm ² | Applicable Gauges mm ² | Recomm. Gauge mm ² | |
| D0 to DF SI, SE, SP, SC, SN, SD, FE | M2 | 0.22 to 0.25 (1.95 to 2.21) | Stranded wire: 0.25 to 1.0 (24 to 17 AWG) Solid wire: 0.25 to 1.5 (24 to 16 AWG) | 0.75 (18 AWG) | 0.25 to 0.5 (24 to 20 AWG) | 0.5 (20 AWG) | Shield twisted pair, etc |

Crimp Terminals

Magnetek recommends using CRIMPFOX 6 by Phoenix Contact or equivalent crimp terminals with the specifications listed in Table 2 for wiring to ensure proper connections.

Table 2: Crimp Terminal Sizes

| | Wire Gauge mm ² | Phoenix Contact Model | L mm (in) | d1 mm (in) | d2 mm (in) |
|---|----------------------------|-----------------------|--------------|------------|------------|
|  | 0.25 (24 AWG) | AI 0.25 - 6YE | 10.5 (13/32) | 0.8 (1/32) | 2 (5/64) |
| | 0.34 (22 AWG) | AI 0.34 - 6TQ | 10.5 (13/32) | 0.8 (1/32) | 2 (5/64) |
| | 0.5 (20 AWG) | AI 0.5 - 6WH | 14 (9/16) | 1.1 (3/64) | 2.5 (3/32) |

Terminal Functions

Table 3: Option Terminal Functions

| Terminal Block | Terminal | Description |
|----------------|----------|-------------------------------------|
| TB2 | D0 | DIO MDFI Terminal 1 |
| | D1 | DIO MDFI Terminal 2 |
| | D2 | DIO MDFI Terminal 3 |
| | D3 | DIO MDFI Terminal 4 |
| | D4 | DIO MDFI Terminal 5 |
| | D5 | DIO MDFI Terminal 6 |
| | D6 | DIO MDFI Terminal 7 |
| | D7 | DIO MDFI Terminal 8 |
| TB3 | D8 | DIO MDFI Terminal 9 |
| | D9 | DIO MDFI Terminal 10 |
| | DA | DIO MDFI Terminal 11 |
| | DB | DIO MDFI Terminal 12 |
| | DC | DIO MDFI Terminal 13 |
| | DD | DIO MDFI Terminal 14 |
| | DE | DIO MDFI Terminal 15 |
| | DF | DIO MDFI Terminal 16 |
| TB1 | SI | Not Used |
| | SE | Not Used |
| | SP | 24 V \pm 5% internal power supply |
| | SC | Input signal common |
| | SN | Internal power supply common: 0 V |
| | SD | Cable shield 2 (open) |
| | FE | Shield ground |

6. Related Parameters

The parameters outlined in the following sections are used to set up the drive for operation with the option. Set parameters as needed. Parameter setting methods can be found in the drive Quick Start Guide or Instruction Manual.

Table 4: Related Parameters

| Parameter Code | Display | Function | Range | Initial Value |
|----------------|-------------------|---|-------|---------------|
| C9-01 | Digital In Sel | Provides additional programmable MFDI | 0 - 2 | 0 |
| | 0 <i>Disabled</i> | No additional MFDI are being used. | | |
| | 1 <i>Enabled</i> | Additional MFDI from DI-16 using C9-02 ~ C9-19 | | |
| | 2 <i>Serial</i> | Additional MFDI from MB RTU using C9-02 ~ C9-19 | | |
| C9-02 | DIO Terminal 1 | MFDI by DI-16 option or Serial communication. | 0-FF | 0F |
| C9-03 | DIO Terminal 2 | See H1-0x for MFDI selections. | 0-FF | 0F |
| C9-04 | DIO Terminal 3 | | 0-FF | 0F |
| C9-05 | DIO Terminal 4 | | 0-FF | 0F |
| C9-06 | DIO Terminal 5 | | 0-FF | 0F |
| C9-07 | DIO Terminal 6 | | 0-FF | 0F |
| C9-08 | DIO Terminal 7 | | 0-FF | 0F |
| C9-09 | DIO Terminal 8 | | 0-FF | 0F |
| C9-10 | DIO Terminal 9 | | 0-FF | 0F |
| C9-11 | DIO Terminal 10 | | 0-FF | 0F |
| C9-12 | DIO Terminal 11 | | 0-FF | 0F |
| C9-13 | DIO Terminal 12 | | 0-FF | 0F |
| C9-14 | DIO Terminal 13 | | 0-FF | 0F |
| C9-15 | DIO Terminal 14 | | 0-FF | 0F |
| C9-16 | DIO Terminal 15 | | 0-FF | 0F |
| C9-17 | DIO Terminal 16 | | 0-FF | 0F |
| C9-18 | DIO Terminal 17 | | 0-FF | 0F |
| C9-19 | DIO Terminal 18 | | 0-FF | 0F |

7. Troubleshooting

Drive-Side Error Codes

Table 5 lists the various fault codes related to the option. Refer to the drive's Instruction Manual for further details on fault codes.

Check the following items first when an error code occurs on the drive:

- Cable connections.
- Make sure the option is properly installed to the drive.
- Did a momentary power loss interrupt communications?

Table 5: Fault Displays, Causes, and Possible Solutions

| Digital Operator Display | | Fault Name |
|--|-------|---|
| | | Option Fault (CN5-A) |
| <i>oFA01</i> | oFA01 | Option is not properly connected |
| Cause | | Possible Solution |
| Option at drive port CN5-A was changed during run. | | Turn the power off and check the connectors between the drive and option. |
| Digital Operator Display | | Fault Name |
| | | Option Fault (CN5-B) |
| <i>oFb01</i> | oFb01 | Option is not properly connected |
| Cause | | Possible Solution |
| Option at drive port CN5-B was changed during run. | | Turn the power off and check the connectors between the drive and option. |
| Digital Operator Display | | Fault Name |
| | | Option Fault (CN5-B) |
| <i>oFb02</i> | oFb02 | Two of the same options are connected simultaneously |
| Cause | | Possible Solution |
| DI-A3 option connected to CN5-B port while another option was connected to CN5-A port. | | Only one of the options, DI-A3, AI-A3, or SI-XX can be connected to the drive at the same time. |
| Digital Operator Display | | Fault Name |
| | | Option connection error at drive port CN5-C |
| <i>oFC01</i> | oFC01 | Option connection error at drive port CN5-C |
| Cause | | Possible Solution |
| Option at drive port CN5-C was changed during run. | | Turn the power off and check the connectors between the drive and option. |

| Digital Operator Display | | Fault Name |
|--|-------|---|
| <i>oFC02</i> | oFC02 | Option Fault (CN5-C) |
| Two of the same options are connected simultaneously | | |
| Cause | | Possible Solution |
| DI-A3 option connected to CN5-C port while another option was connected to CN5-A port. | | Only one of these options, DI-A3, AI-A3, or SI-XX can be connected to the drive at the same time. |
| Digital Operator Display | | Fault Name |
| <i>oPE05</i> | oPE05 | Run command/frequency reference source selection error |
| Cause | | Possible Solution |
| Frequency reference is assigned to an option (b1-01 = 3) but an option is not connected. | | Reconnect the option to the drive. |

Preventing Noise Interference

Take the following steps to prevent erroneous operation caused by noise interference:

- Use shielded wire for the signal lines.
- Limit the length of wiring under 50 m (164 ft.).
- Separate the control wiring to the option, main circuit wiring, and power lines.

8. Specifications

Table 6: Option Specifications

| Items | Specifications |
|---|---|
| Model | DI-A3 |
| Input Terminals | 18 terminals (including SET and SIGN signals) |
| Input Signal Type (Parameter Settings) | Binary 16-bit, 4-digit BCD Binary 12-bit, 3-digit BCD Binary 8-bit, 2-digit BCD |
| Input Signal | SINK, SOURCE, external power supply Photocoupler input: 24 VDC, 8 mA |
| Ambient Temperature | -10 °C to +60 °C (14 °F to 140 °F) |
| Humidity | 95% RH or lower with no condensation |
| Storage Temperature | -20 °C to +70 °C (-4 °F to 158 °F) allowed for short-term transport of the product |
| Area of Use | Indoor (free of corrosive gas, airborne particles, etc.) |
| Altitude | 1000 m (3280 ft.) or lower |