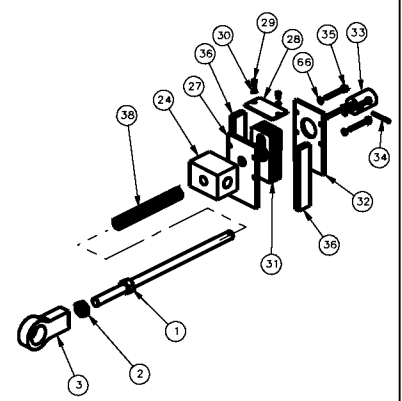
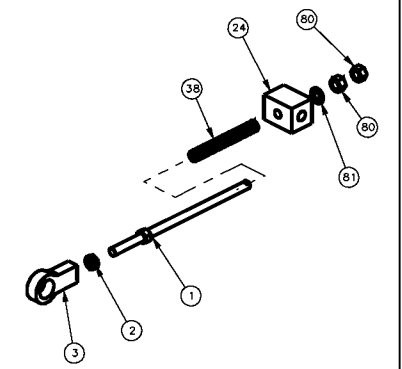


AUTOMATIC ADJUSTMENT ASSEMBLY



MANUAL ADJUSTMENT ASSEMBLY



2	ADDL: ILM 82	WL	DLC/10
1	ADDED ITEM 81	AM	MAR/08
1.0	KLVSOR	BY	DATE
<b>MBE SHOE BRAKE</b>			
DRAWN: A.M.	DATE: 12/12/2007	DWG NO:	REV: 1.0
CHECKED:	DATE:	<b>552060</b>	
APPROVED:	SCALE: NTS	WLRG: L	DATE: 2



**MAGNETEK**  
MATERIAL HANDLING

Mondel

**BRAKE PART# 102137**

**DRAWING# 552060**

**SHOE BRAKE SPARE PARTS**

ITEM	PART #	ITEM DESCRIPTION	QTY
1	130479	BRAKE ROD	1
2	200024	JAM NUT	1
3	130480	PIVOT LINK	1
4	111895	BUSHING	10
5	130481	SHAFT	1
6	130482	SPACER	1
7	111895	BUSHING	2
8	120155	SHOE HOLDER	4
9	210096	BOLT	8
10	220036	SPRING	4
11	200042	SLOTTED NUT	4
12	220010	PLAIN WASHER	4
14	132405	ROLLER	1
15	130484	SHAFT	1
16	140385	LINK	2
17	140386	LINK	1
18	140387	LINK	1
19	210136	CAPSCREW	1
20	282010	LOCTITE 277	AS REQ.
21	200026	HEX NUT	2
22	210313	CAPSCREW	4
23	220119	PLAIN WASHER	8
24	130485	PIVOT BLOCK	1
25	141030	LINK	1
26	141030	LINK	1
27	141055	END WALL	1
28	140389	COVER	1
29	210070	PAN HEAD SCREW	2
30	220031	LOCKWASHER	2
31	140390	SPACER	13
32	141056	END WALL	1
33	130486	STOP	1
34	230026	SPRING PIN	1
35	210192	CAPSCREW	4
36	140392	SIDE WALL	2
37	110064	BRAKE SHOE ASS'Y	2
38	240054	BRAKE ROD SPRING	1
39	210138	CAPSCREW	1
40	130487	BAR	1
41	210139	CAPSCREW	2
42	130488	SPACER	2
43	150048	ARMATURE	1
44	212208	BOLT	2
45	200042	SLOTTED NUT	2



MAGNETEK  
MATERIAL HANDLING

Mondel

**BRAKE PART# 102137**

**DRAWING# 552060**

## SHOE BRAKE SPARE PARTS

ITEM	PART #	ITEM DESCRIPTION	QTY
46	220066	SPRING	8
47	220040	PLAIN WASHER	4
48	240055	TORQUE SPRING	1
49	130489	TORQUE SPRING SEAT	1
50	210141	CAPSCREW	4
51	120194	BASE	1
52	200022	HEX NUT	1
53	210142	BOLT	1
54	212280	BOLT	1
55	140393	SPACER	1
56	350009	STATIC COIL	1
57	260012	O-RING	1
58	150056	MAGNET CASE	1
59	210024	CAPSCREW	4
60	210125	CAPSCREW	2
61	220309	LOCKWASHER	2
62	131155	END CAP	1
63	220025	LOCKWASHER	8
64	212207	BOLT	2
65	111135	TERMINAL BOX ASS'Y	1
66	220019	LOCKWASHER	4
67	220025	LOCKWASHER	2
68	200042	SLOTTED NUT	1
69	232023	SPRING PIN	2
70	220284	PLAIN WASHER	1
71	220026	LOCKWASHER	4
72	220023	LOCKWASHER	4
73	230073	COTTER PIN	7
82	210093	CAPSCREW	2