



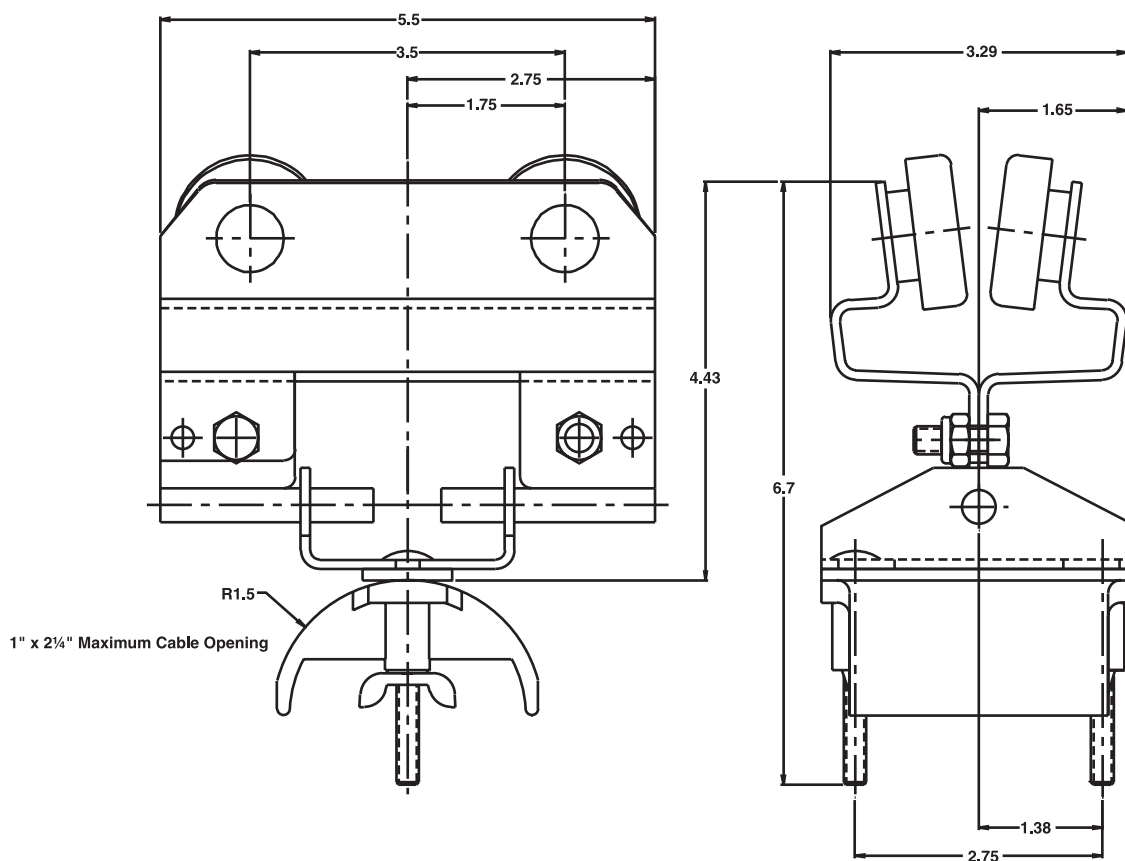
**MAGNETEK**  
UNCOMMON POWER

# Electromotive Systems

Heavy Duty I-Beam Festoon Systems

Technical Bulletin FS-I1

## Heavy Duty I-Beam Trolley



F-IC3 Heavy Duty I-Beam Trolley (3" & 4" I-Beam)

F-IC3-SS Heavy Duty I-Beam Trolley (3" & 4" I-Beam) Stainless Steel

3.50 lbs./ea.

Data subject to change without notice.



**MAGNETEK**  
UNCOMMON POWER

[www.electromotive.com](http://www.electromotive.com)

### Electromotive Systems

PO Box 13615  
Milwaukee, WI 53213  
Phone: 800-288-8178  
Fax: 800-298-3503

N49 W13650 Campbell Drive  
Menomonee Falls, WI 53051

9/1/03



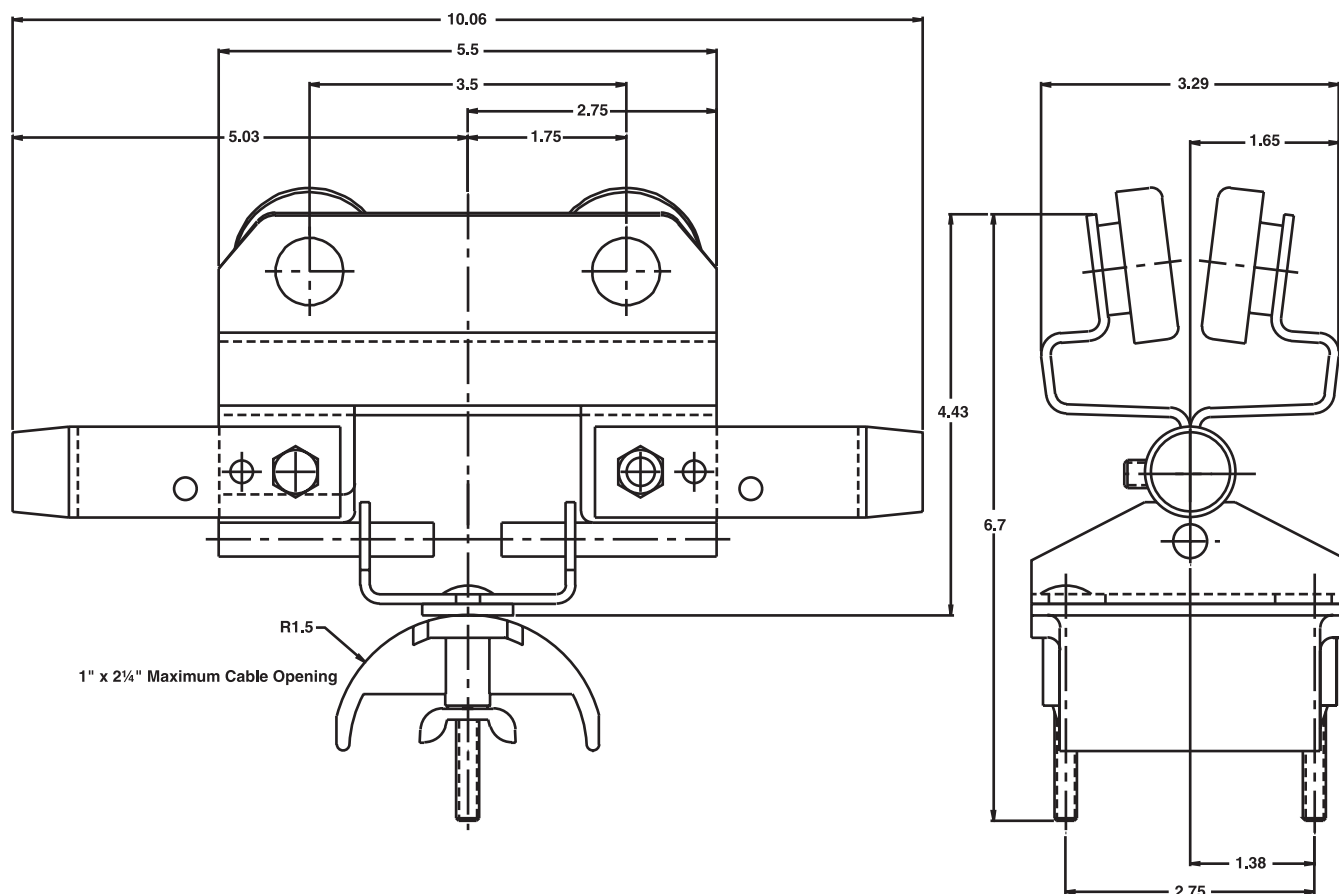
**MAGNETEK**  
UNCOMMON POWER

# Electromotive Systems

Heavy Duty I-Beam Festoon Systems

Technical Bulletin FS-I1

## Heavy Duty I-Beam Trolley with Bumpers



F-IC3-B Heavy Duty I-Beam Trolley with Bumpers (3" & 7" I-Beam)—4.10 lbs./ea.

Data subject to change without notice.



**MAGNETEK**  
UNCOMMON POWER

[www.electromotive.com](http://www.electromotive.com)

### Electromotive Systems

PO Box 13615  
Milwaukee, WI 53213  
Phone: 800-288-8178  
Fax: 800-298-3503

N49 W13650 Campbell Drive  
Menomonee Falls, WI 53051

9/1/03



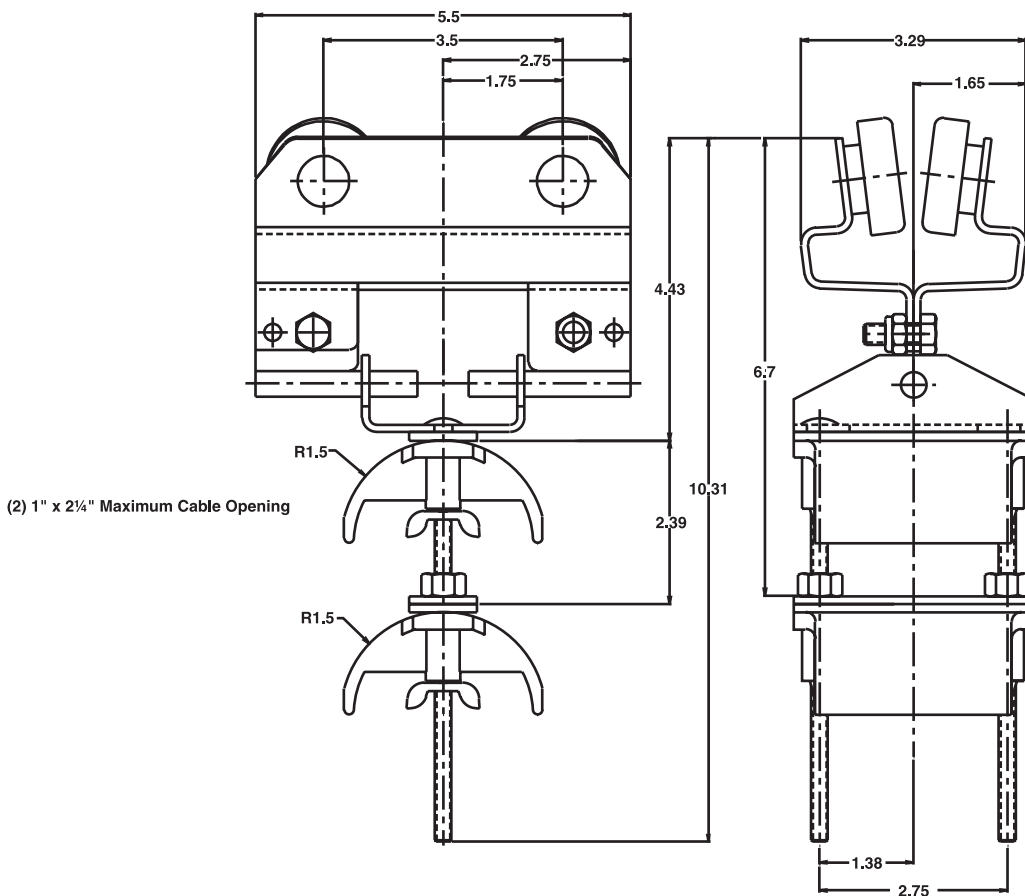
**MAGNETEK**  
UNCOMMON POWER

# Electromotive Systems

Heavy Duty I-Beam Festoon Systems

Technical Bulletin FS-12

## Heavy Duty Double Saddle I-Beam Trolley



F-IC3-2 Heavy Duty I-Beam Trolley (3" & 4" I-Beam) Double Saddle—3.85 lbs./ea.

Data subject to change without notice.



**MAGNETEK**  
UNCOMMON POWER

[www.electromotive.com](http://www.electromotive.com)

### Electromotive Systems

PO Box 13615  
Milwaukee, WI 53213  
Phone: 800-288-8178  
Fax: 800-298-3503

N49 W13650 Campbell Drive  
Menomonee Falls, WI 53051

9/1/03



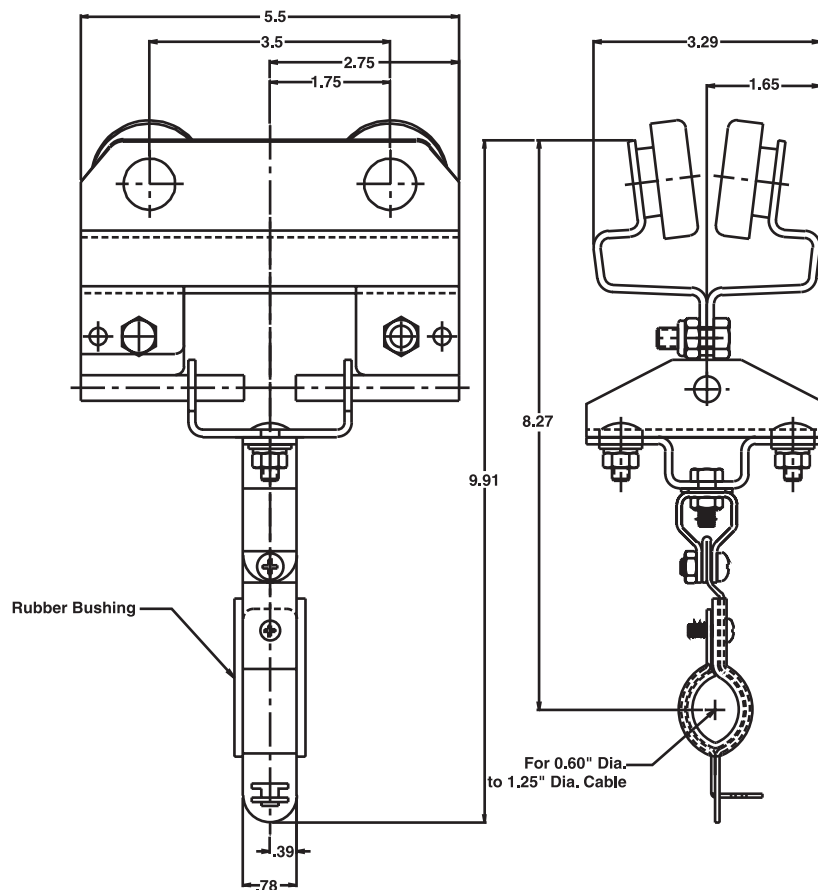
**MAGNETEK**  
UNCOMMON POWER

# Electromotive Systems

*Heavy Duty I-Beam Festoon Systems*

*Technical Bulletin FS-12*

## Heavy Duty Single Round Cable I-Beam Trolley



R-IC3 Heavy Duty I-Beam Trolley (3" & 4" I-Beam) Single Round Cable—3.85 lbs./ea.

Data subject to change without notice.



**MAGNETEK**  
UNCOMMON POWER

[www.electromotive.com](http://www.electromotive.com)

### Electromotive Systems

PO Box 13615  
Milwaukee, WI 53213  
Phone: 800-288-8178  
Fax: 800-298-3503

N49 W13650 Campbell Drive  
Menomonee Falls, WI 53051

9/1/03



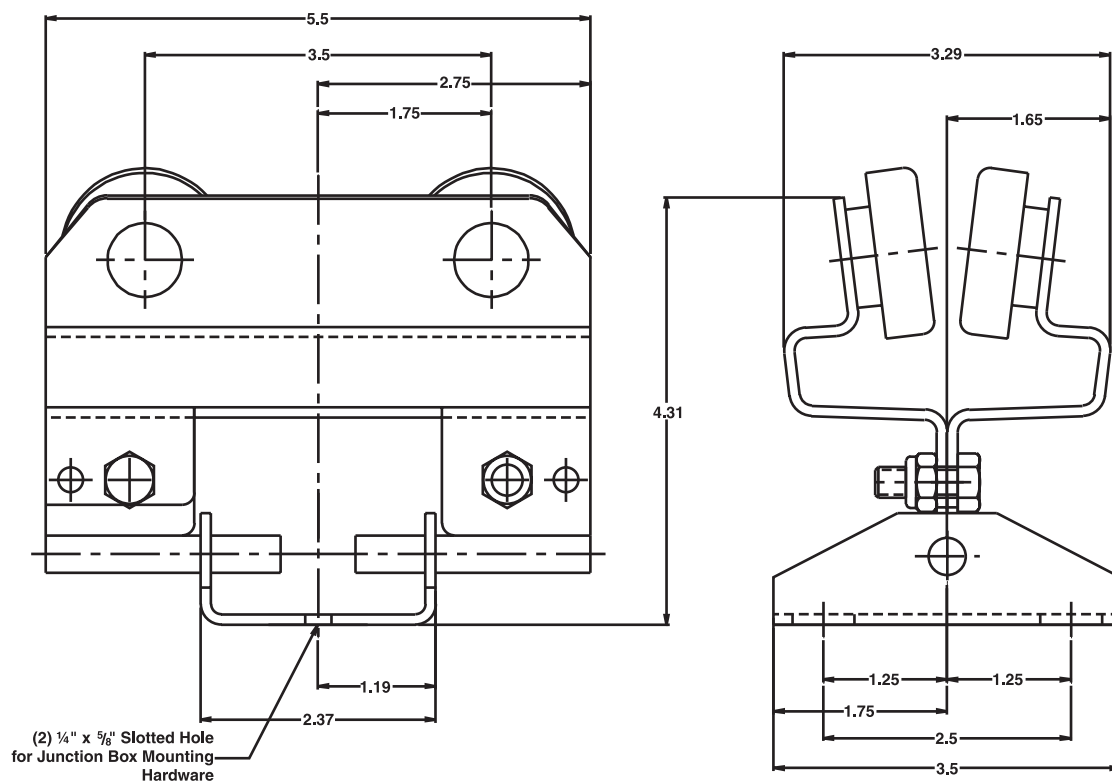
**MAGNETEK**  
UNCOMMON POWER

# Electromotive Systems

Heavy Duty I-Beam Festoon Systems

Technical Bulletin FS-13

## Heavy Duty I-Beam Control Box Trolley



F-IC3B Heavy Duty I-Beam Control Box Trolley (3" & 4" I-Beam)  
F-IC3B-SS Heavy Duty I-Beam Control Box Trolley—Stainless Steel  
3.50 lbs./ea.

Data subject to change without notice.



**MAGNETEK**  
UNCOMMON POWER

[www.electromotive.com](http://www.electromotive.com)

### Electromotive Systems

PO Box 13615  
Milwaukee, WI 53213  
Phone: 800-288-8178  
Fax: 800-298-3503

N49 W13650 Campbell Drive  
Menomonee Falls, WI 53051

9/1/03



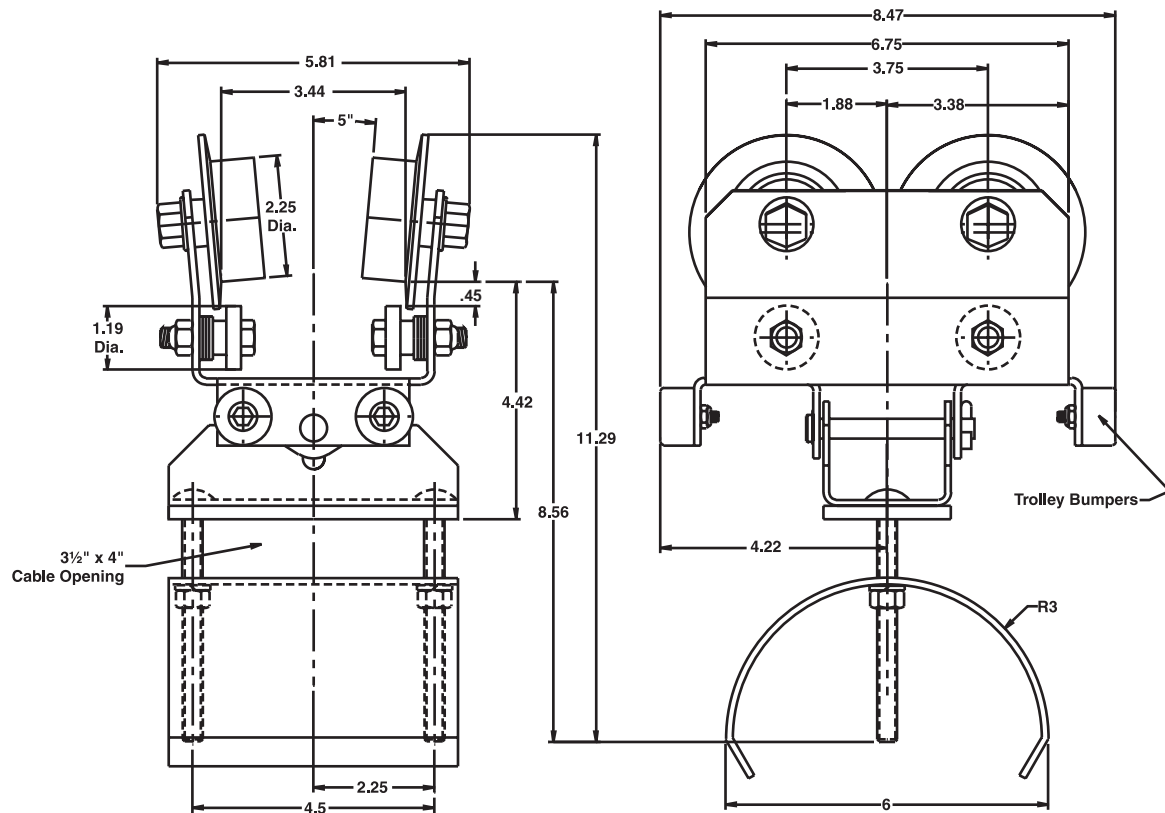
**MAGNETEK**  
UNCOMMON POWER

# Electromotive Systems

Heavy Duty I-Beam Festoon Systems

Technical Bulletin FS-13

## Severe Duty Trolley



F-IC9 Heavy Duty I-Beam Trolley (6" I-Beam)  
Regreasable wheels with grease fittings-add suffix "-G"  
13.00 lbs./ea.

Data subject to change without notice.



**MAGNETEK**  
UNCOMMON POWER

[www.electromotive.com](http://www.electromotive.com)

### Electromotive Systems

PO Box 13615  
Milwaukee, WI 53213  
Phone: 800-288-8178  
Fax: 800-298-3503

N49 W13650 Campbell Drive  
Menomonee Falls, WI 53051

9/1/03



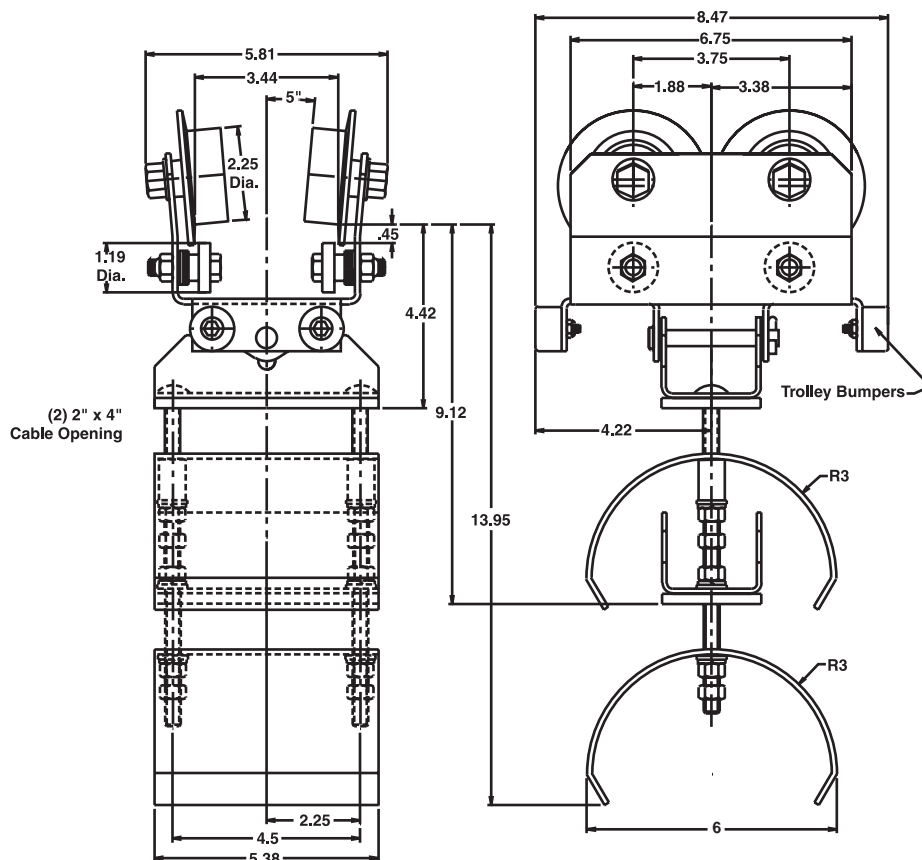
**MAGNETEK**  
UNCOMMON POWER

# Electromotive Systems

Heavy Duty I-Beam Festoon Systems

Technical Bulletin FS-14

## Heavy Duty I-Beam Double Saddle Trolley



F-IC9-2 Heavy Duty I-Beam Trolley Double Saddle (6" I-Beam)  
Regreasable wheels with grease fittings-add suffix"-G"  
15.50 lbs./ea.

Data subject to change without notice.



**MAGNETEK**  
UNCOMMON POWER

[www.electromotive.com](http://www.electromotive.com)

### Electromotive Systems

PO Box 13615  
Milwaukee, WI 53213  
Phone: 800-288-8178  
Fax: 800-298-3503

N49 W13650 Campbell Drive  
Menomonee Falls, WI 53051

9/1/03



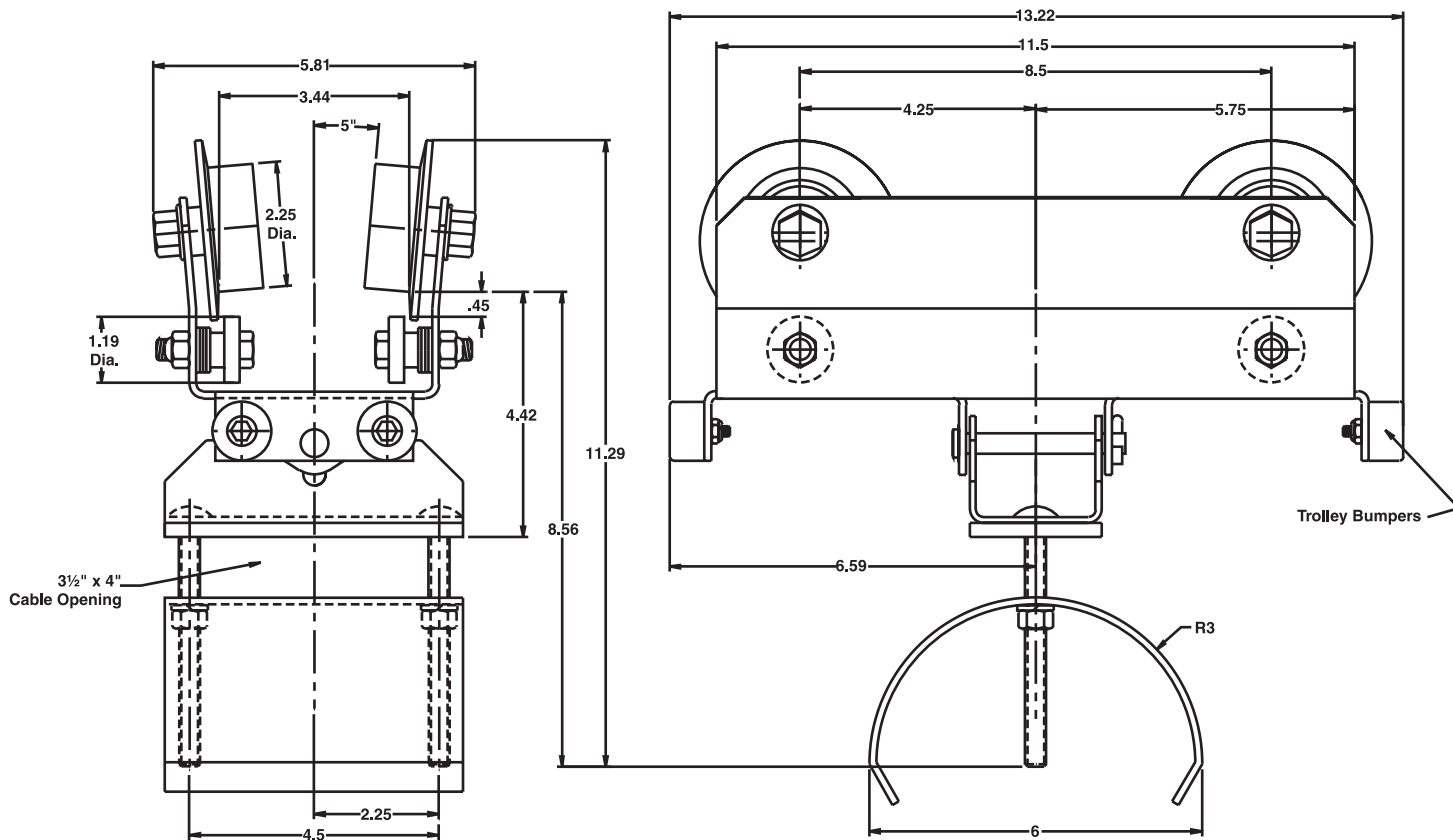
**MAGNETEK**  
UNCOMMON POWER

# Electromotive Systems

Heavy Duty I-Beam Festoon Systems

Technical Bulletin FS-15

## Heavy Duty I-Beam Trolley



### F-IC13 Heavy Duty I-Beam Trolley (6" I-Beam)

Regreasable wheels with grease fittings (add suffix "-G")

19 lbs./ea.

Data subject to change without notice.



**MAGNETEK**  
UNCOMMON POWER

[www.electromotive.com](http://www.electromotive.com)

## Electromotive Systems

PO Box 13615  
Milwaukee, WI 53213  
Phone: 800-288-8178  
Fax: 800-298-3503

N49 W13650 Campbell Drive  
Menomonee Falls, WI 53051

9/1/03





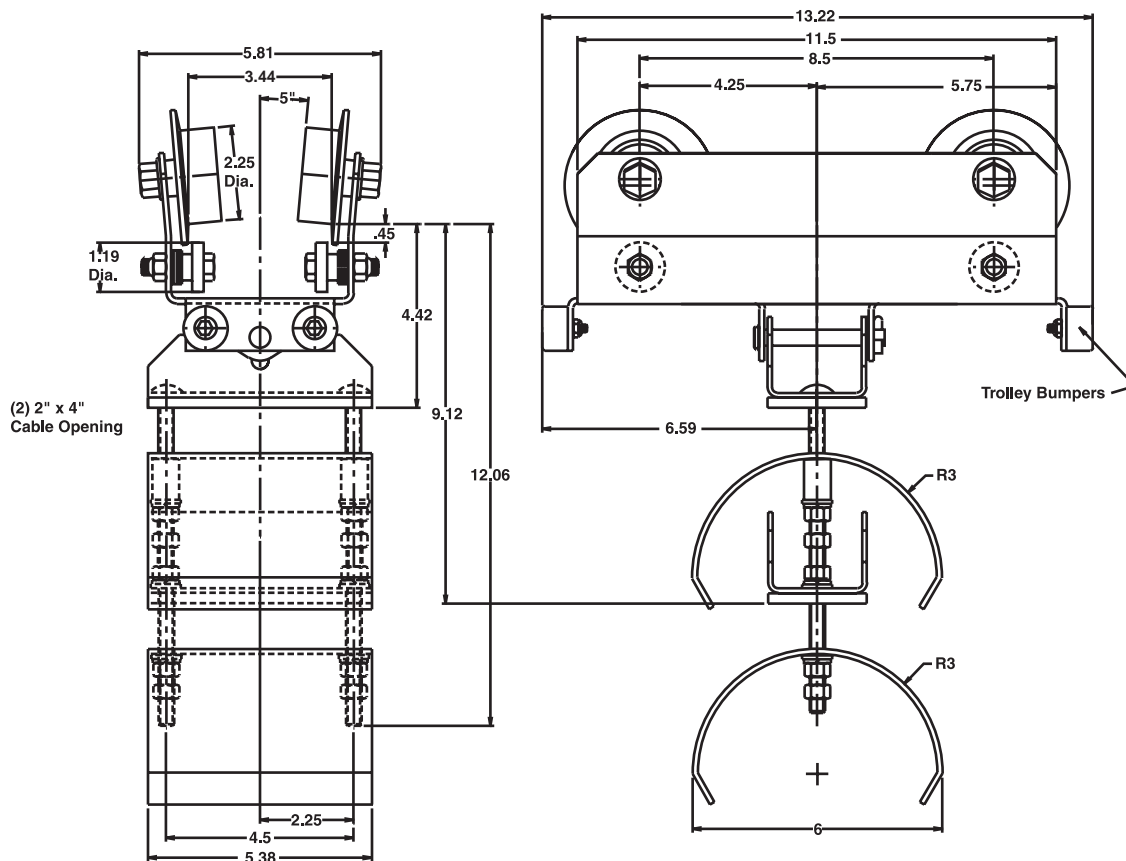
**MAGNETEK**  
UNCOMMON POWER

# Electromotive Systems

Heavy Duty I-Beam Festoon Systems

Technical Bulletin FS-15

## Heavy Duty I-Beam Double Saddle Trolley



F-IC13-2 Heavy Duty I-Beam Trolley Double Saddle (6" I-Beam)  
Regreasable wheels with grease fittings-add suffix"-G"  
22.00 lbs./ea.

Data subject to change without notice.



**MAGNETEK**  
UNCOMMON POWER

[www.electromotive.com](http://www.electromotive.com)

### Electromotive Systems

PO Box 13615  
Milwaukee, WI 53213  
Phone: 800-288-8178  
Fax: 800-298-3503

N49 W13650 Campbell Drive  
Menomonee Falls, WI 53051

9/1/03



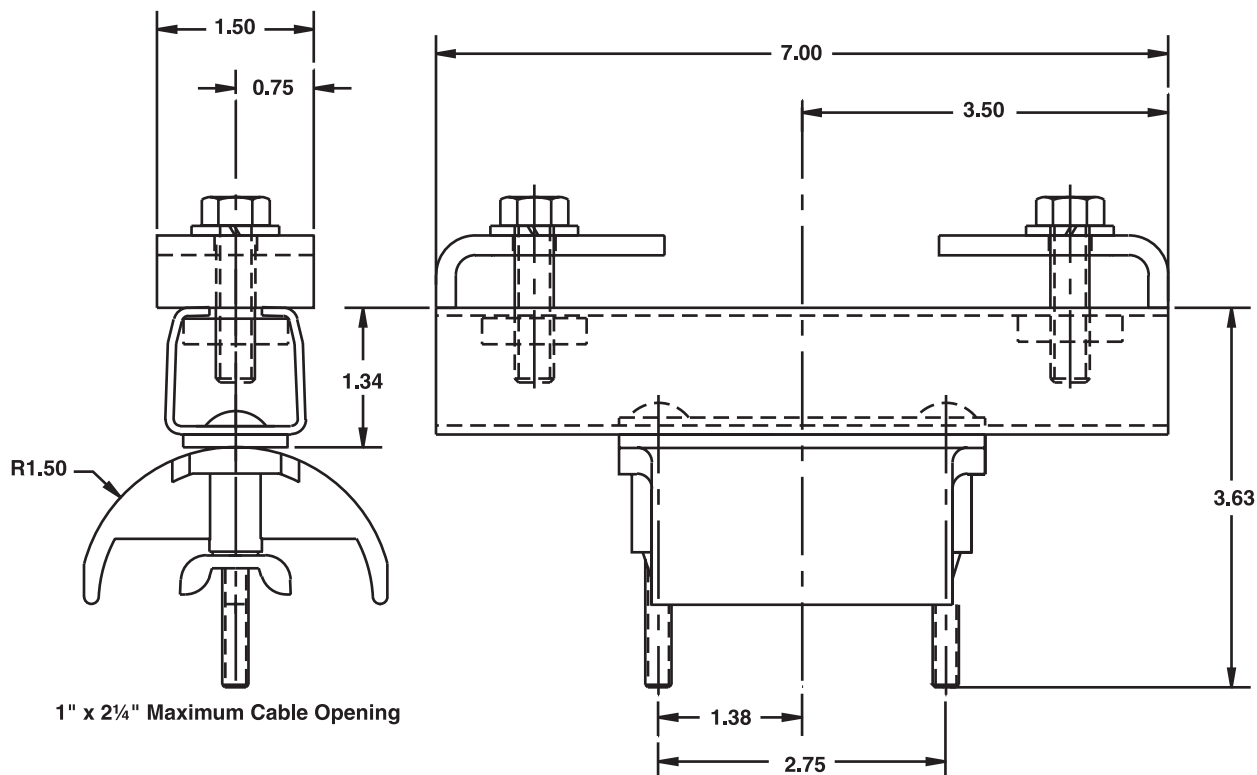
**MAGNETEK**  
UNCOMMON POWER

# Electromotive Systems

Heavy Duty I-Beam Festoon Systems

Technical Bulletin FS-I6

## Heavy Duty I-Beam End Cable Clamp



F-ICE Heavy Duty I-Beam End Cable Clamp  
F-ICE-SS Heavy Duty I-Beam End Cable Clamp—Stainless Steel  
3.50 lbs./ea.

Data subject to change without notice.



**MAGNETEK**  
UNCOMMON POWER

[www.electromotive.com](http://www.electromotive.com)

### Electromotive Systems

PO Box 13615  
Milwaukee, WI 53213  
Phone: 800-288-8178  
Fax: 800-298-3503

N49 W13650 Campbell Drive  
Menomonee Falls, WI 53051

9/1/03



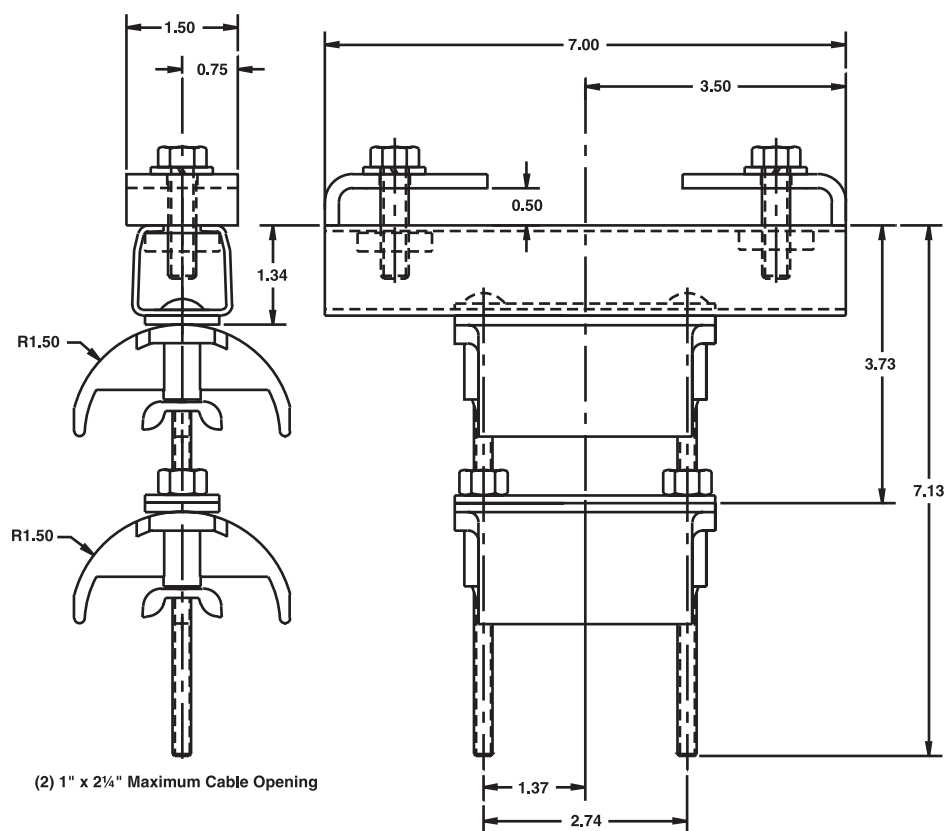
**MAGNETEK**  
UNCOMMON POWER

# Electromotive Systems

Heavy Duty I-Beam Festoon Systems

Technical Bulletin FS-I6

## Heavy Duty I-Beam (3"-4" I-Beam) Double Saddle End Cable Clamp



F-ICE-2 Heavy Duty I-Beam (3"-4" I-Beam) End Cable Clamp—Double Saddle—3.80 lbs./ea.

*Data subject to change without notice.*



**MAGNETEK**  
UNCOMMON POWER

[www.electromotive.com](http://www.electromotive.com)

### Electromotive Systems

PO Box 13615  
Milwaukee, WI 53213  
Phone: 800-288-8178  
Fax: 800-298-3503

N49 W13650 Campbell Drive  
Menomonee Falls, WI 53051

9/1/03



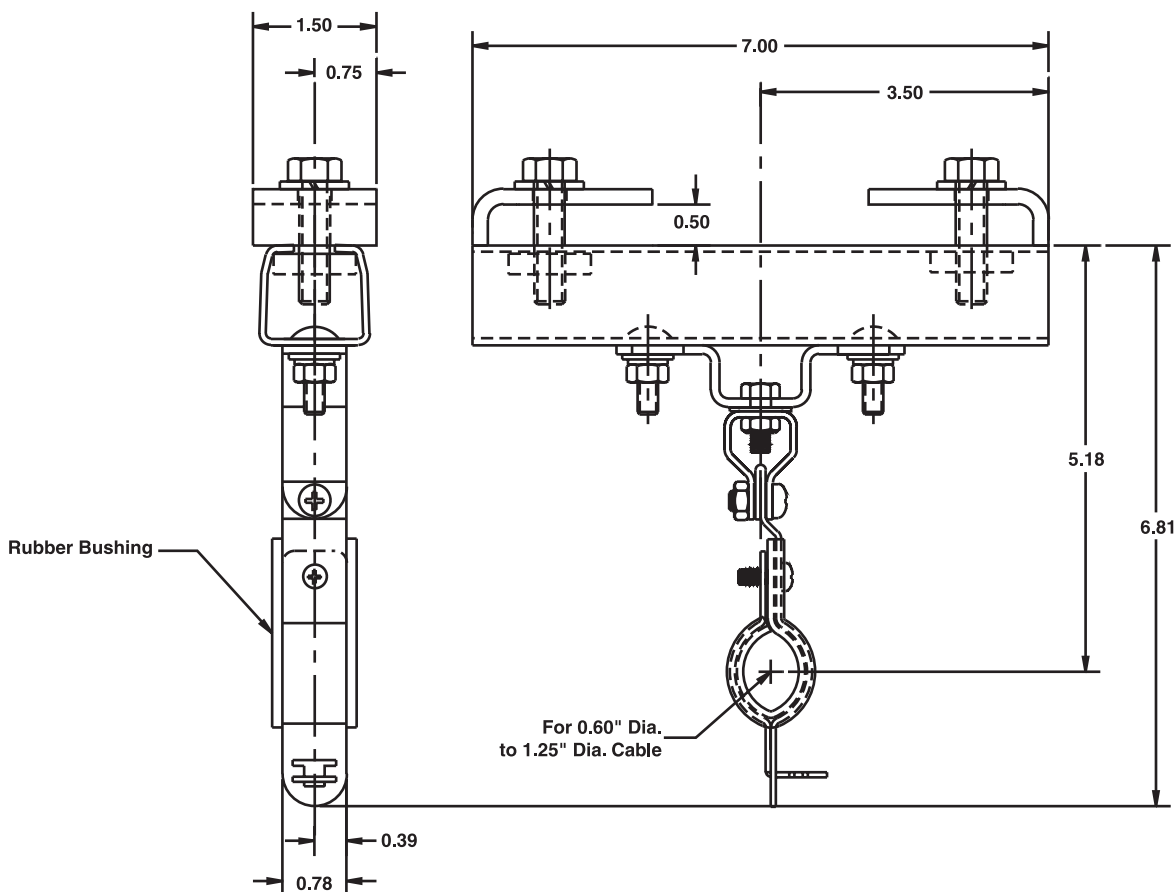
**MAGNETEK**  
UNCOMMON POWER

# Electromotive Systems

Heavy Duty I-Beam Festoon Systems

Technical Bulletin FS-I7

## Heavy Duty I-Beam (3"-4") Single Round Cable End Cable Clamp



R-ICE Heavy Duty I-Beam (3"-4" I-Beam) End Cable Clamp-Single Round Cable  
3.50 lbs./ea.

Data subject to change without notice.



**MAGNETEK**  
UNCOMMON POWER

[www.electromotive.com](http://www.electromotive.com)

### Electromotive Systems

PO Box 13615  
Milwaukee, WI 53213  
Phone: 800-288-8178  
Fax: 800-298-3503

N49 W13650 Campbell Drive  
Menomonee Falls, WI 53051

9/1/03



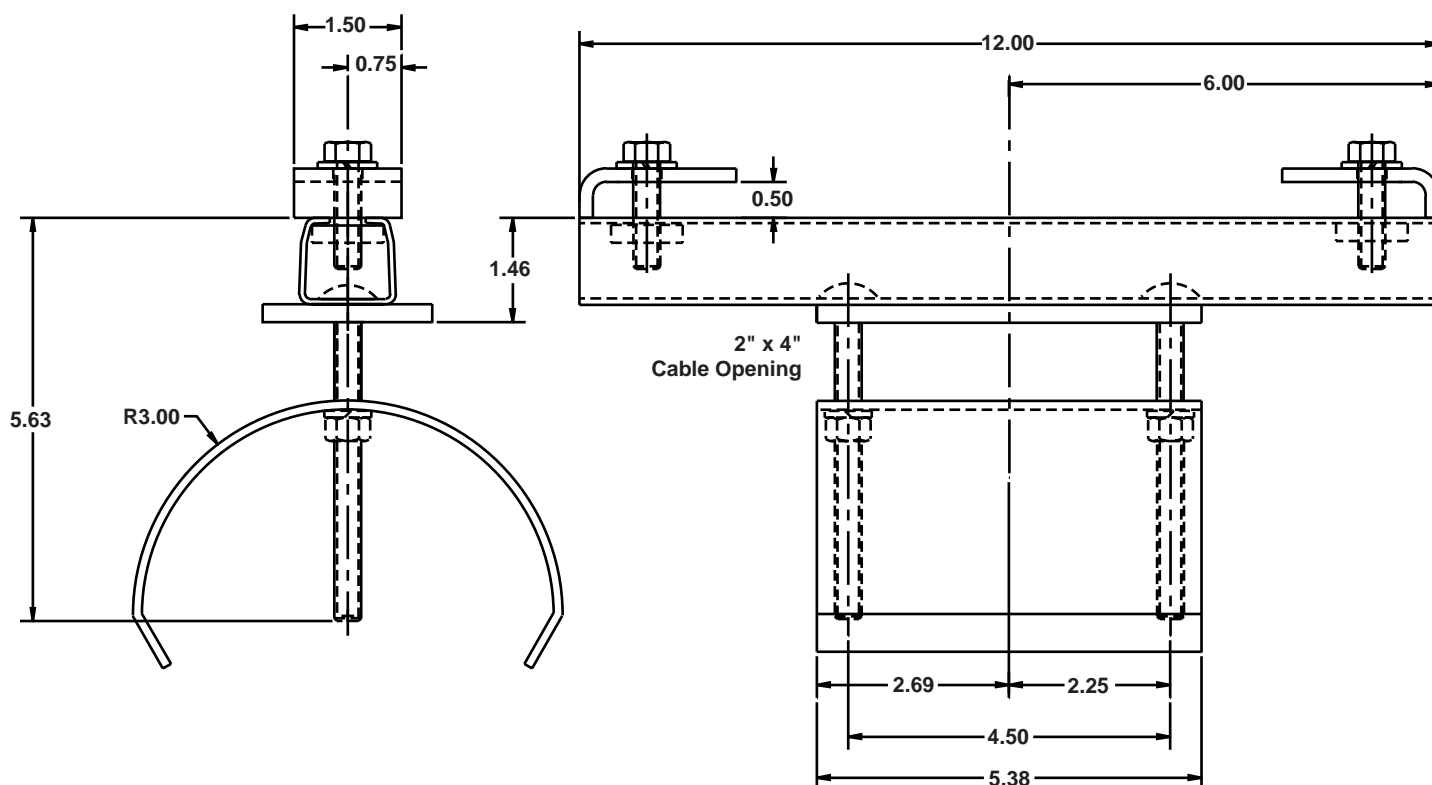
**MAGNETEK**  
UNCOMMON POWER

# Electromotive Systems

Heavy Duty I-Beam Festoon Systems

Technical Bulletin FS-I7

## Heavy Duty I-Beam (6" I-Beam) End Cable Clamp



F-ICE13 Heavy Duty I-Beam (6" I-Beam) End Cable Clamp

6.50 lbs./ea.

*Data subject to change without notice.*



**MAGNETEK**  
UNCOMMON POWER

**Electromotive Systems**

PO Box 13615  
Milwaukee, WI 53213  
Phone: 800-288-8178  
Fax: 800-298-3503

N49 W13650 Campbell Drive  
Menomonee Falls, WI 53051

[www.electromotive.com](http://www.electromotive.com)

9/1/03



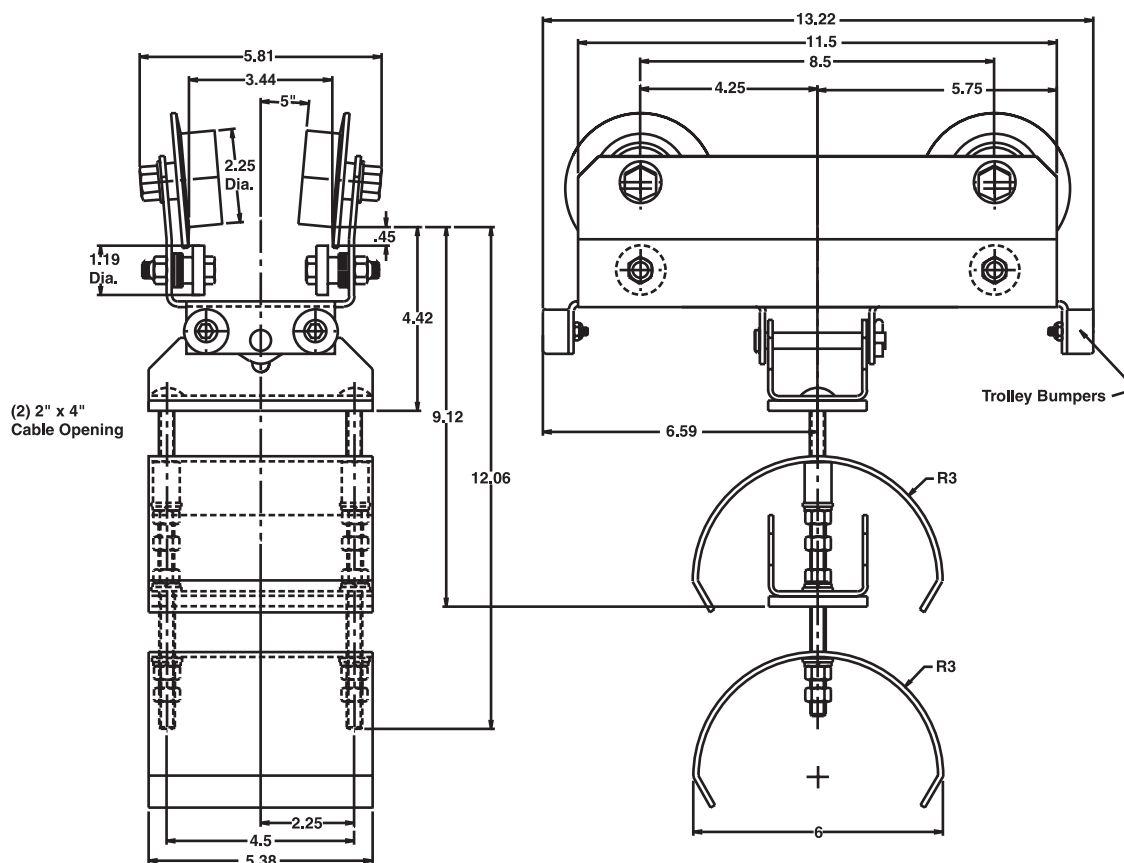
**MAGNETEK**  
UNCOMMON POWER

# Electromotive Systems

Heavy Duty I-Beam Festoon Systems

Technical Bulletin: FS-18

## Heavy Duty I-Beam (6" I-Beam) Double Saddle End Cable Clamp



F-ICE13-2 Heavy Duty I-Beam (6" I-Beam) End Cable Clamp—Double Saddle—8.50 lbs./ea.  
Data subject to change without notice.



**MAGNETEK**  
UNCOMMON POWER

[www.electromotive.com](http://www.electromotive.com)

### Electromotive Systems

PO Box 13615  
Milwaukee, WI 53213  
Phone: 800-288-8178  
Fax: 800-298-3503

N49 W13650 Campbell Drive  
Menomonee Falls, WI 53051

9/1/03



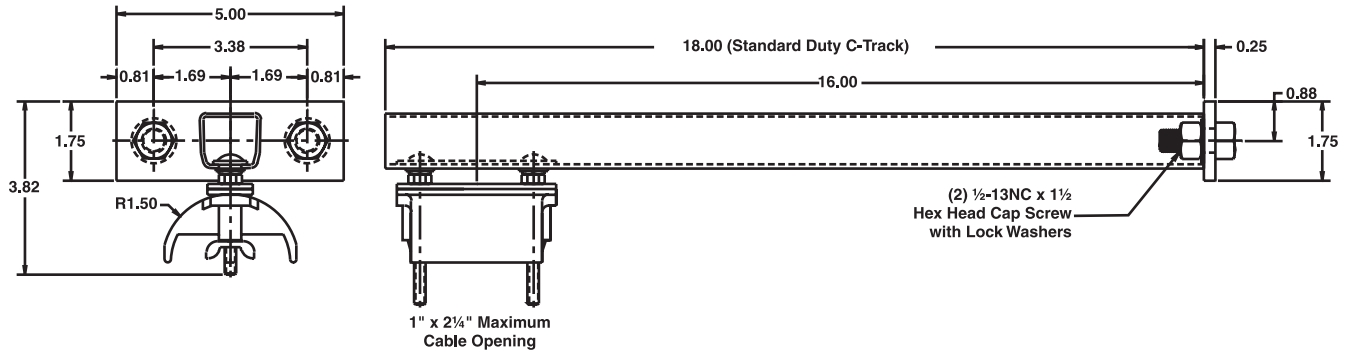
**MAGNETEK**  
UNCOMMON POWER

# Electromotive Systems

Heavy Duty I-Beam Festoon Systems

Technical Bulletin: FS-19

## Heavy Duty I-Beam (3"-4" I-Beam) Tow Arm Assembly/Cable Saddle Assembly

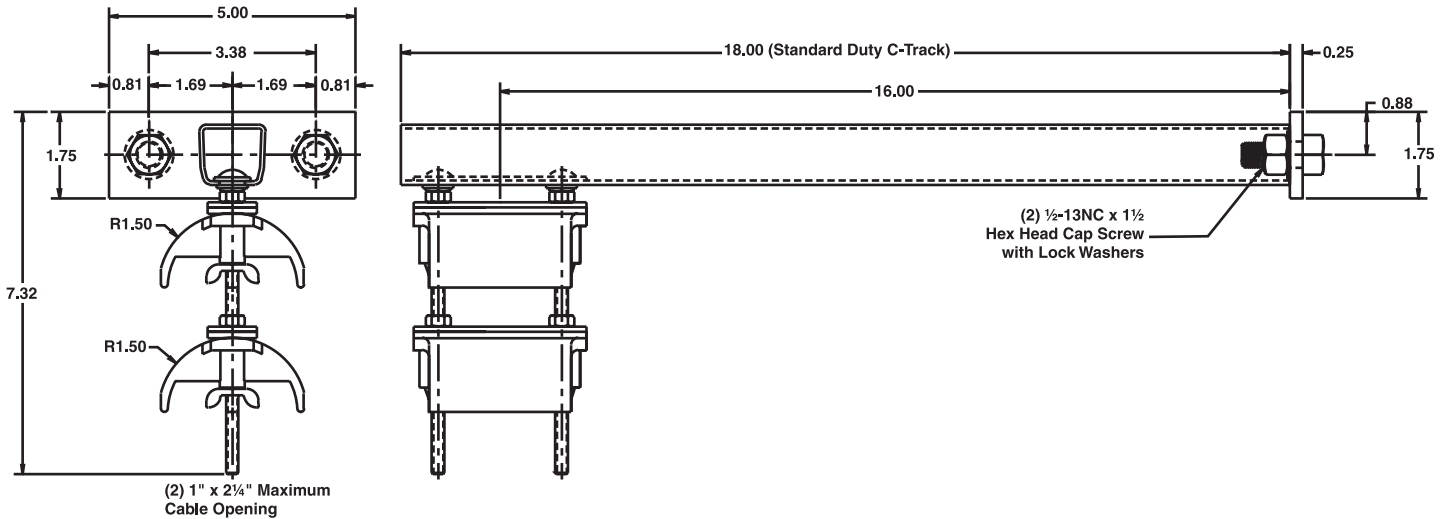


F-ICTA Heavy Duty I-Beam (3"-4" I-Beam) Tow Arm/Cable Saddle Assembly

F-ICTA-SS Heavy Duty I-Beam (3"-4" I-Beam) Stainless Steel Tow Arm/Cable Saddle Assembly

3.25 lbs./ea.

## Heavy Duty I-Beam (3"-4" I-Beam) Double Saddle Tow Arm Assembly/ Cable Saddle Assembly



F-ICTA-2 Heavy Duty I-Beam (3"-4" I-Beam) Double Saddle-Tow Arm/ Cable Saddle Assembly—3.55 lbs./ea.

*Data subject to change without notice.*



**MAGNETEK**  
UNCOMMON POWER

[www.electromotive.com](http://www.electromotive.com)

### Electromotive Systems

PO Box 13615  
Milwaukee, WI 53213  
Phone: 800-288-8178  
Fax: 800-298-3503

N49 W13650 Campbell Drive  
Menomonee Falls, WI 53051

9/1/03



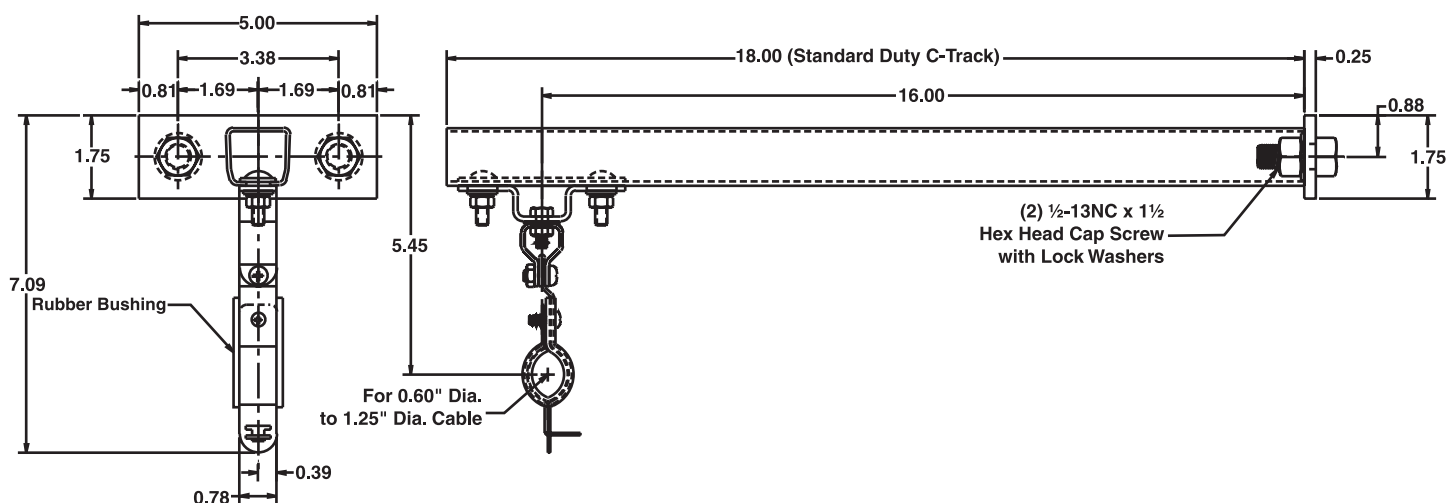
**MAGNETEK**  
UNCOMMON POWER

# Electromotive Systems

Heavy Duty I-Beam Festoon Systems

Technical Bulletin: FS-19

## Heavy Duty I-Beam (3"-4" I-Beam) Double Saddle Tow Arm Assembly/ Round Cable Saddle Assembly



R-ICTA Heavy Duty I-Beam (3"-4" I-Beam) Tow Arm/Round Cable Saddle Assembly—3.25 lbs./ea.  
*Data subject to change without notice.*



**MAGNETEK**  
UNCOMMON POWER

[www.electromotive.com](http://www.electromotive.com)

### Electromotive Systems

PO Box 13615  
Milwaukee, WI 53213  
Phone: 800-288-8178  
Fax: 800-298-3503

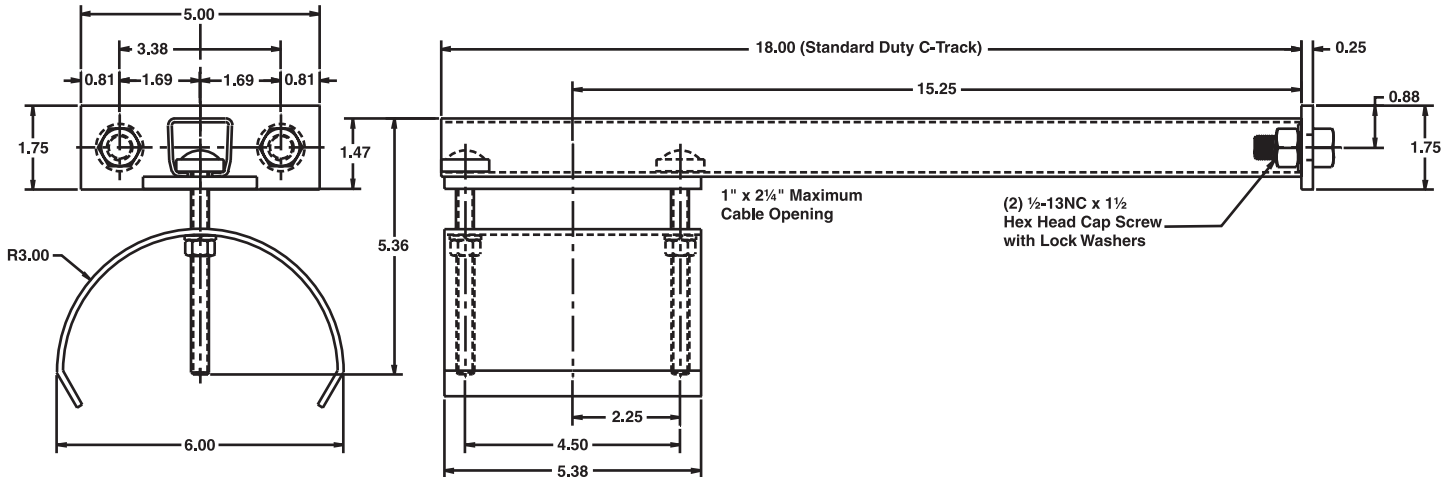
N49 W13650 Campbell Drive  
Menomonee Falls, WI 53051

9/1/03



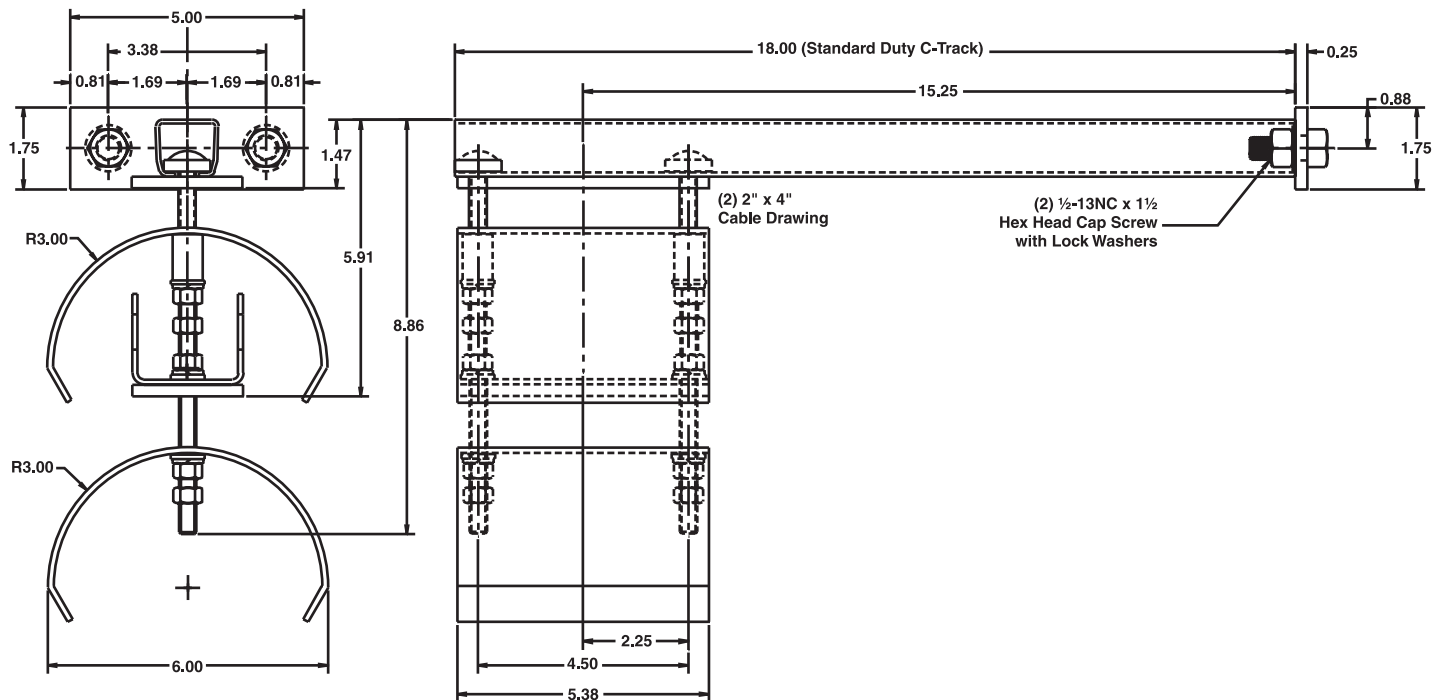


### Heavy Duty I-Beam (6" I-Beam) Tow Arm Assembly/Cable Saddle Assembly



F-ICTA13 Heavy Duty I-Beam (6" I-Beam) Tow Arm/Cable Saddle Assembly—6.25 lbs./ea.

### Heavy Duty I-Beam (6" I-Beam) Double Saddle Tow Arm Assembly/ Round Cable Saddle Assembly



F-ICTA13-2 Heavy Duty I-Beam (6" I-Beam) Tow Arm/Cable Saddle Assembly—Double Saddle—8.25 lbs./ea.

*Data subject to change without notice.*





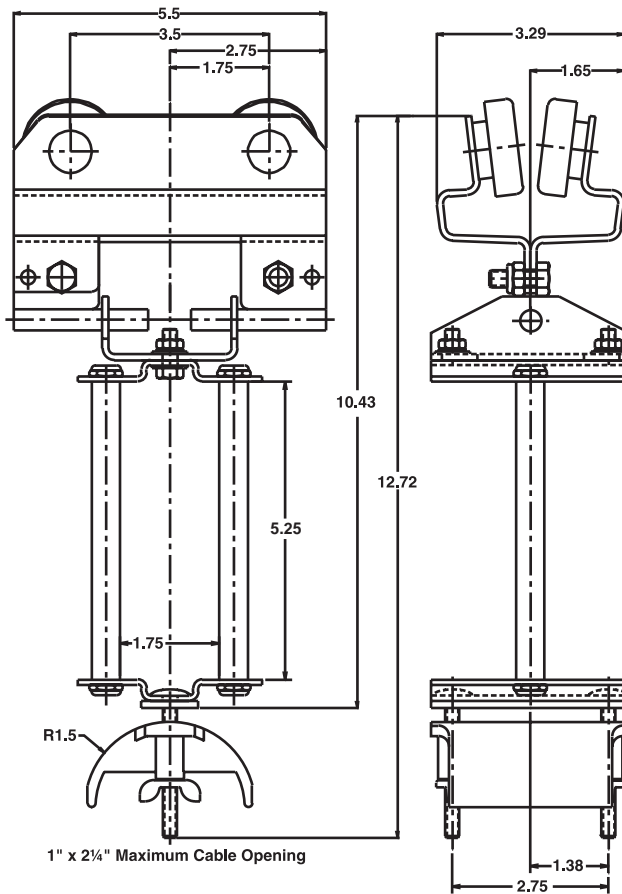
**MAGNETEK**  
UNCOMMON POWER

# Electromotive Systems

Heavy Duty I-Beam Festoon Systems

Technical Bulletin: FS-I11

## Heavy Duty I-Beam Tow Trolley (3" & 4" I-Beam)



F-IC3T Heavy Duty I-Beam Tow Trolley (3" & 4" I-Beam)  
F-IC3T-SS Heavy Duty I-Beam Tow Trolley (3" & 4" I-Beam)—Stainless Steel  
4.75 lbs./ea.

*Data subject to change without notice.*



**MAGNETEK**  
UNCOMMON POWER

### Electromotive Systems

PO Box 13615  
Milwaukee, WI 53213  
Phone: 800-288-8178  
Fax: 800-298-3503

N49 W13650 Campbell Drive  
Menomonee Falls, WI 53051

[www.electromotive.com](http://www.electromotive.com)

9/1/03



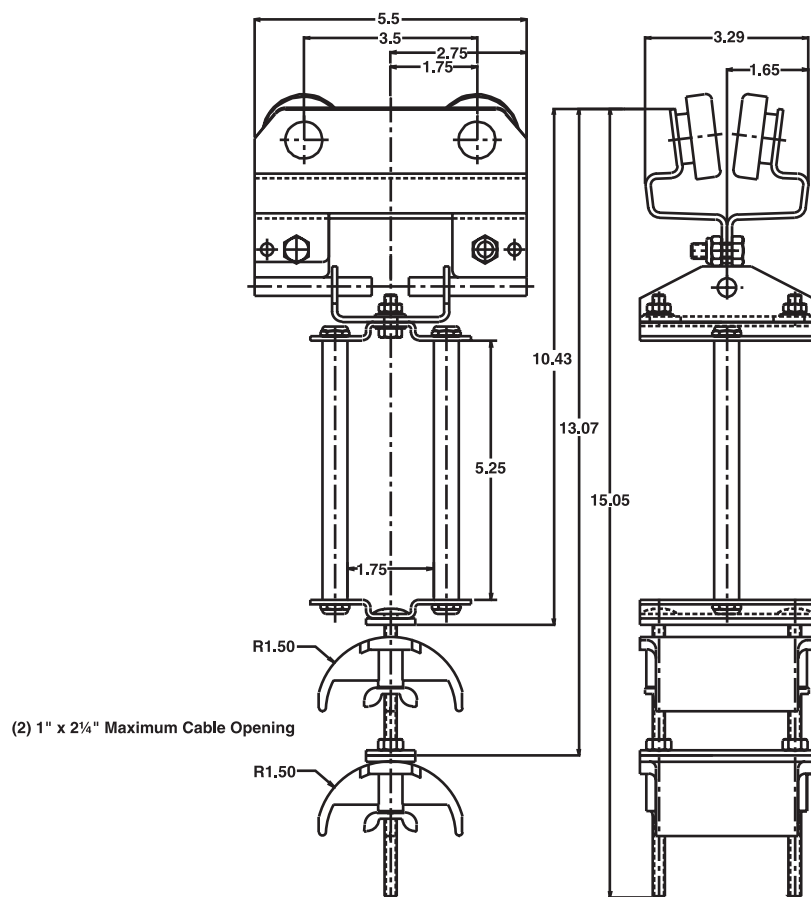
**MAGNETEK**  
UNCOMMON POWER

# Electromotive Systems

Heavy Duty I-Beam Festoon Systems

Technical Bulletin: FS-I12

## Heavy Duty I-Beam Double Saddle Tow Trolley (3" & 4" I-Beam)



F-IC3T-2 Heavy Duty I-Beam Tow Trolley (3" & 4" I-Beam)–Double Saddle–5.50 lbs./ea.

*Data subject to change without notice.*



**MAGNETEK**  
UNCOMMON POWER

[www.electromotive.com](http://www.electromotive.com)

### Electromotive Systems

PO Box 13615  
Milwaukee, WI 53213  
Phone: 800-288-8178  
Fax: 800-298-3503

N49 W13650 Campbell Drive  
Menomonee Falls, WI 53051

9/1/03



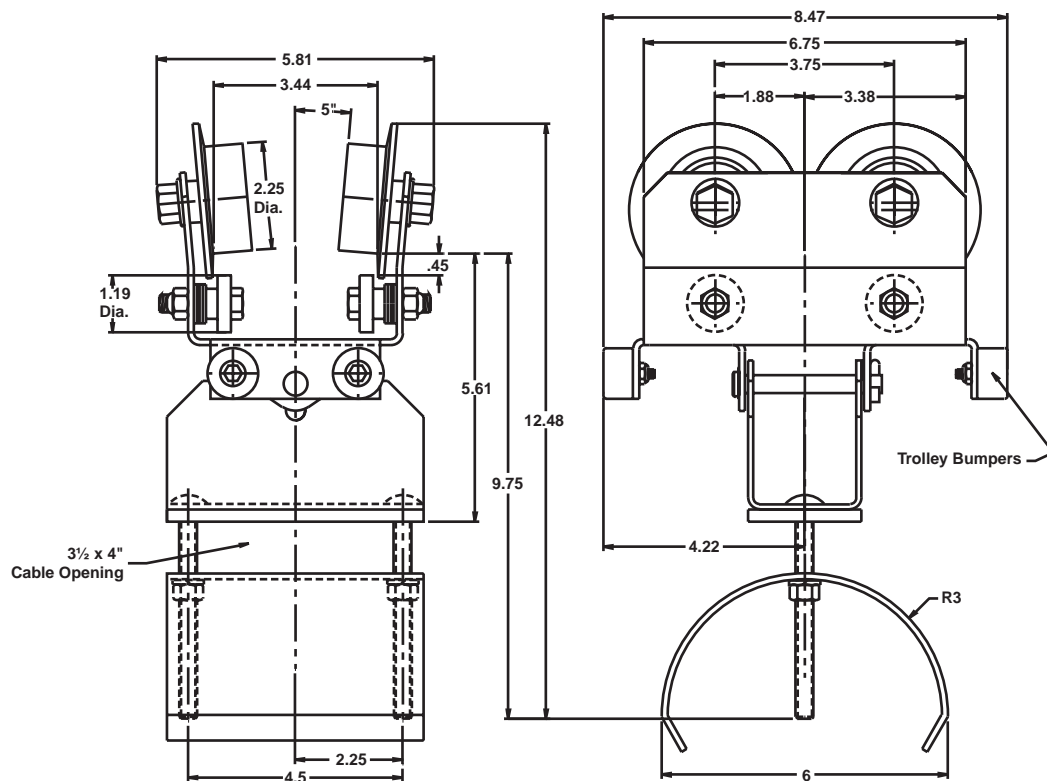
**MAGNETEK**  
UNCOMMON POWER

# Electromotive Systems

Heavy Duty I-Beam Festoon Systems

Technical Bulletin: FS-I13

## Heavy Duty I-Beam Tow Trolley (6" I-Beam)



### F-IC9T Heavy Duty I-Beam Tow Trolley (6" I-Beam)

Regreasable wheels with grease fittings (add suffix "-G")

13.00 lbs./ea.



**MAGNETEK**  
UNCOMMON POWER

[www.electromotive.com](http://www.electromotive.com)

### Electromotive Systems

PO Box 13615  
Milwaukee, WI 53213  
Phone: 800-288-8178  
Fax: 800-298-3503

N49 W13650 Campbell Drive  
Menomonee Falls, WI 53051

9/1/03



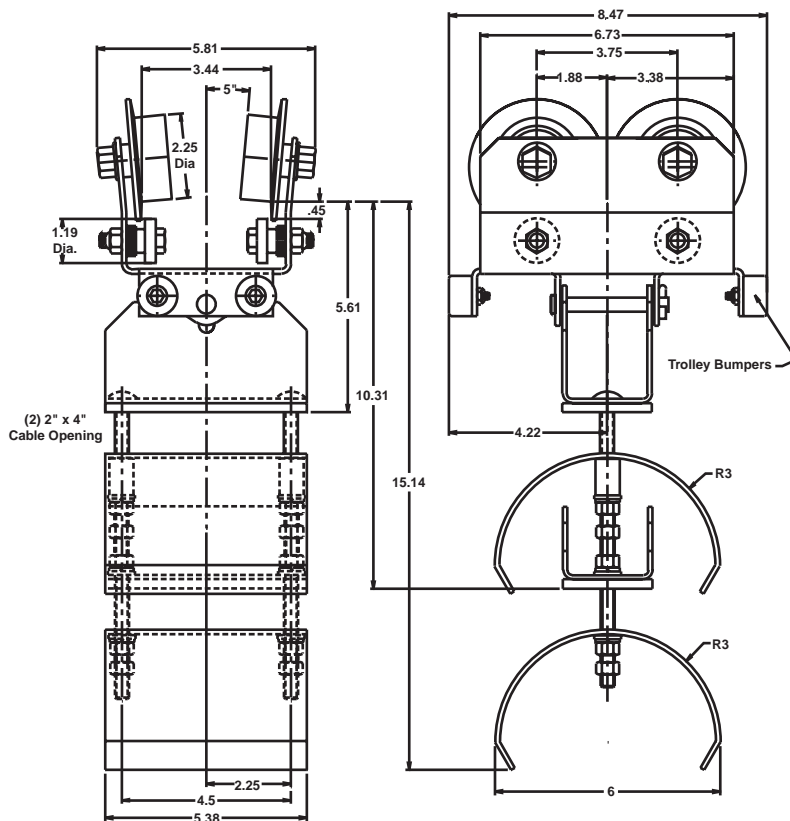
**MAGNETEK**  
UNCOMMON POWER

# Electromotive Systems

Heavy Duty I-Beam Festoon Systems

Technical Bulletin: FS-I13

## Heavy Duty I-Beam Double Saddle Tow Trolley (6" I-Beam)



F-IC9T-2 Heavy Duty I-Beam Tow Trolley Double Saddle (6" I-Beam)

Regreasable wheels with grease fittings (add suffix "-G")

13.50 lbs./ea.

All data subject to change without notice.



**MAGNETEK**  
UNCOMMON POWER

Electromotive Systems

PO Box 13615  
Milwaukee, WI 53213  
Phone: 800-288-8178  
Fax: 800-298-3503

N49 W13650 Campbell Drive  
Menomonee Falls, WI 53051

[www.electromotive.com](http://www.electromotive.com)

9/1/03



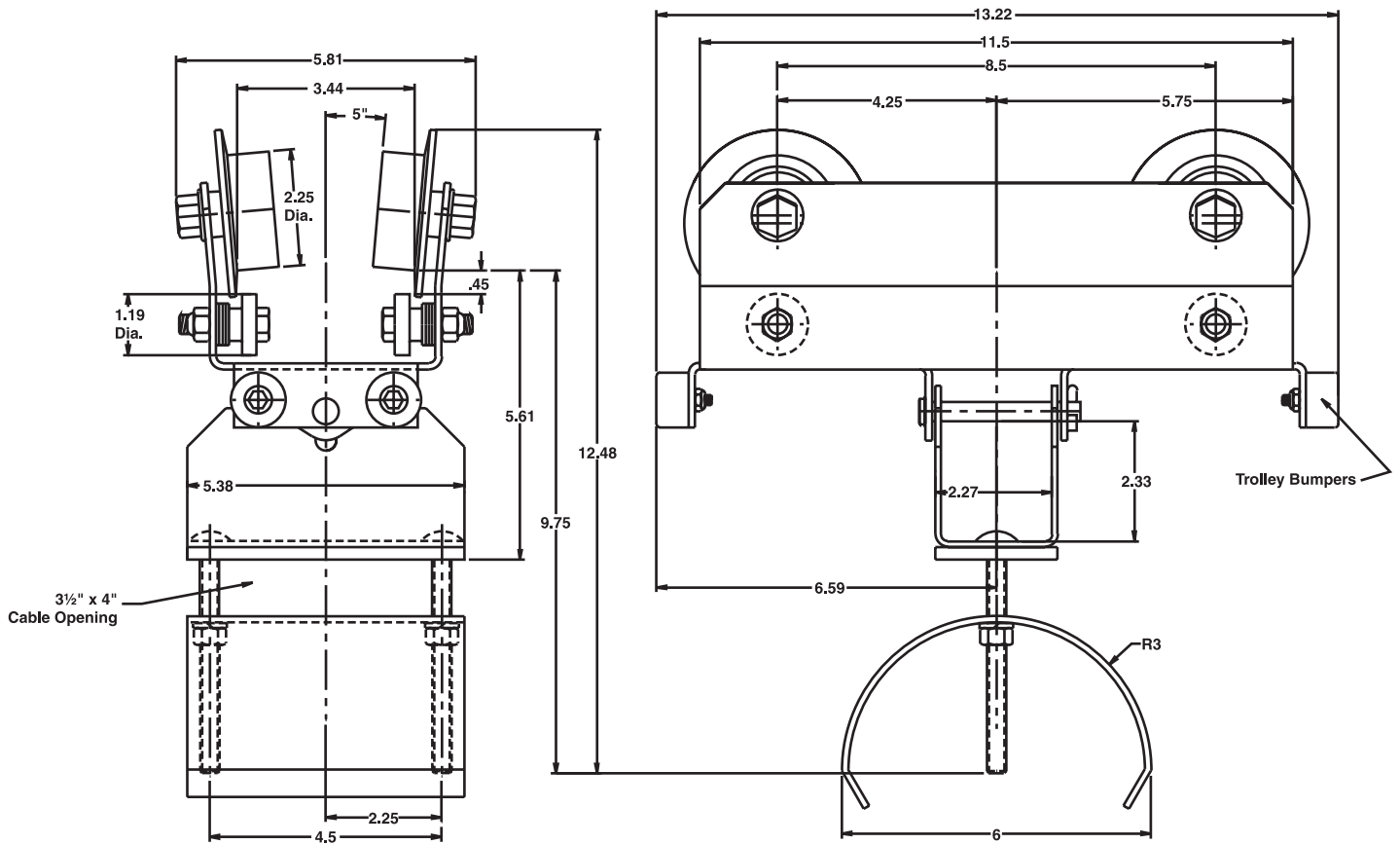
**MAGNETEK**  
UNCOMMON POWER

# Electromotive Systems

Heavy Duty I-Beam Festoon Systems

Technical Bulletin: FS-I14

## Heavy Duty I-Beam Tow Trolley (6" I-Beam)



F-IC13T Heavy Duty I-Beam Tow Trolley (6" I-Beam)  
Regreasable wheels with grease fittings (add suffix "-G")  
20.00 lbs./ea.



**MAGNETEK**  
UNCOMMON POWER

[www.electromotive.com](http://www.electromotive.com)

### Electromotive Systems

PO Box 13615  
Milwaukee, WI 53213  
Phone: 800-288-8178  
Fax: 800-298-3503

N49 W13650 Campbell Drive  
Menomonee Falls, WI 53051

9/1/03



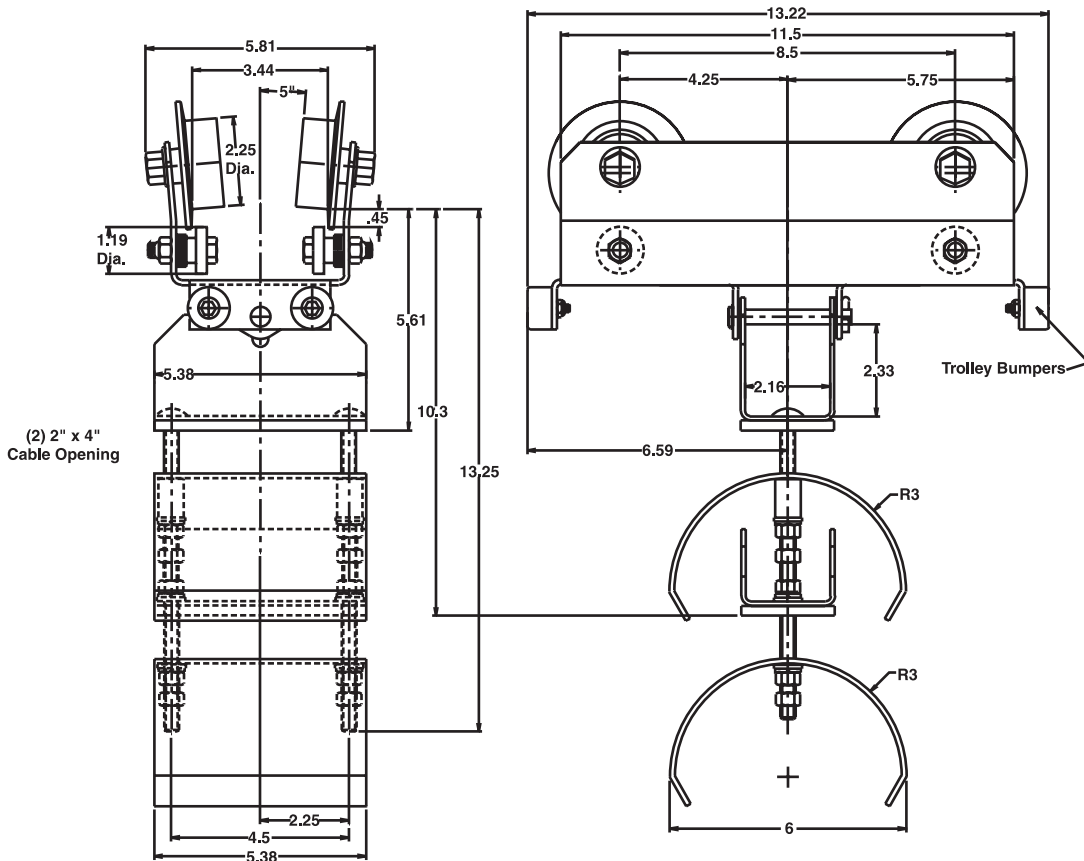
**MAGNETEK**  
UNCOMMON POWER

# Electromotive Systems

Heavy Duty I-Beam Festoon Systems

Technical Bulletin: FS-I14

## Heavy Duty I-Beam Double Saddle Tow Trolley (6" I-Beam)



F-IC13T-2 Heavy Duty I-Beam Tow Trolley Double Saddle (6" I-Beam)

Regreasable wheels with grease fittings (add suffix "-G")

22.50 lbs./ea.

All data subject to change without notice.



**MAGNETEK**  
UNCOMMON POWER

[www.electromotive.com](http://www.electromotive.com)

### Electromotive Systems

PO Box 13615  
Milwaukee, WI 53213  
Phone: 800-288-8178  
Fax: 800-298-3503

N49 W13650 Campbell Drive  
Menomonee Falls, WI 53051

9/1/03