

# OMNIPULSE™ DDC

## Digital DC Drives Diagnostic Tools

Magnetek, the leader in crane and hoist motor control, brings you the OmniPulse™ DDC Digital DC Drive — advanced power technology for the operation of DC cranes and hoists. OmniPulse DDC will improve the performance and reliability of your DC operated crane or hoist, while minimizing downtime, maintenance expenses and energy costs.

Semi-conductor technology is employed to provide better control of motor speed and torque than costly, older DCCP control technology. This micro-processor based, solid state, four-quadrant DC-to-DC control is designed for series, shunt, or compound wound motors. Most importantly, it will improve safety in your facility.

Now Magnetek offers drive support tools that enable you to maximize the efficiency of your drive maintenance functions from parameter upload and download to remote monitoring and datalogging.

### SELECT THE DC DRIVE DIAGNOSTICS TOOL THAT'S RIGHT FOR YOU!

- IMPULSE•Link 4.1 Basic Interactive Drive Software Package
- IMPULSE•Link 4.1 Wireless Diagnostic System

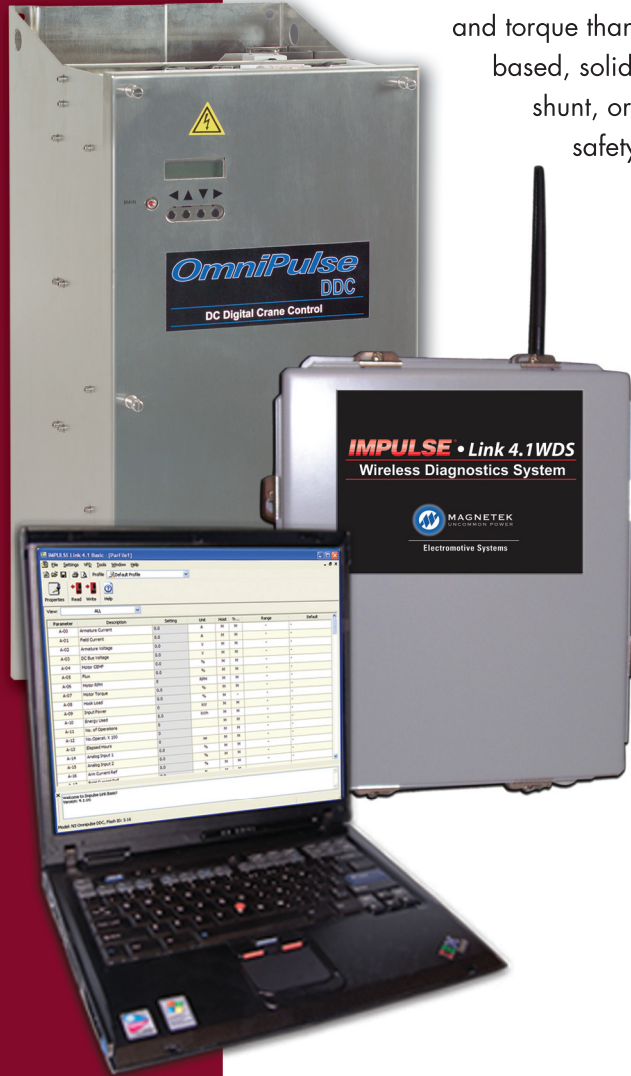
### IMPULSE•Link 4.1 Basic Interactive DC Drive Software Package

Our IMPULSE•Link 4.1 Basic is a Windows-based interactive drive software, which allows you to upload, download and monitor parameters using a hard-wired cable connection via the serial port on the drive.

#### Adjust Drive Parameters from Your PC

IMPULSE•Link 4.1 Basic allows you to:

- Upload and download drive parameters
- Modify drive parameters
- Save or create new parameter files
- View and print detailed or compact drive parameters
- View complete parameter descriptions
- Monitor parameters and drive status
- Compare drive parameter files to existing saved files or compare saved files to one another
- Display all parameters that are not factory default (modified constants)



## IMPULSE•LINK 4.1 WIRELESS DIAGNOSTIC SYSTEM (WDS) FOR DC DRIVES

This Windows-based, interactive drive software and hardware package increases productivity by allowing you to efficiently program, monitor and troubleshoot multiple drives from a remote location. IMPULSE•Link 4.1 WDS bridges the gap between your facility's OmniPulse DDC Drives and Ethernet network.

### Keep Your System Up and Running

Sophisticated wireless diagnostics provide critical information to keep your system operational. The WDS alerts you of a problem and transmits this diagnostic data to be read by a technician. This allows maintenance workers to be prepared with the right tools and parts to fix the problem before getting up on the crane to do repairs. Valuable time and manpower is saved so the crane gets back on-line efficiently.

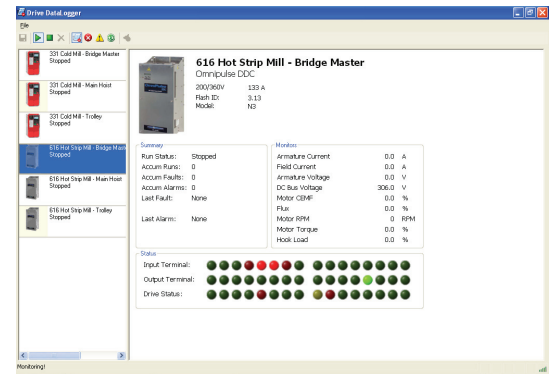
### Easy to Install and Use

A WDS upgrade requires only a short installation time. It can be customized to a specific drive and monitors the parameters and provide diagnostic information unique to that drive's application. Existing OmniPulse DDC drives can be easily retrofitted; so few infrastructure updates are needed and no additional training is required for operators and maintenance crews. It uses the same interface as most current hard-wired diagnostic devices.

The WDS is a digital device with no moving parts, so it consistently monitors the drives without breaks in transmission, providing increased safety, security and reliability. Whether you have a single crane or multiple cranes in difficult to access locations, IMPULSE•Link 4.1 WDS allows you to easily monitor and diagnose your OmniPulse drives wirelessly.

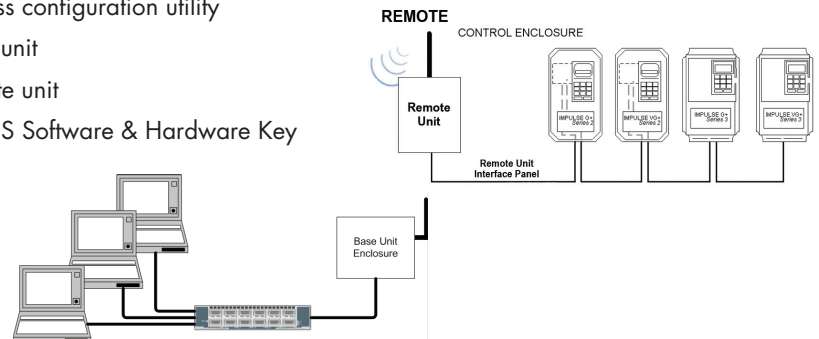
### IMPULSE•Link 4.1 WDS allows you to:

- Monitor drive parameters and drive status
- Upload/download drive parameters
- Modify parameter settings and create new parameter files
- View and print detailed or compact drive parameters
- Diagnose and reset faults remotely
- Save and e-mail parameter files, modified constants and DataLogger files for troubleshooting assistance
- Compare drive parameter (PAR) files to existing saved files, or compare saved files to one another
- Log fault, alarm and run events from multiple drives (via built-in DataLogger)
- Troubleshoot from a remote location (office, plant floor, or another location)—anytime—day or night, 24/7. No need to climb up on the crane to diagnose and reset a fault.
- Copy and paste information into other applications (Microsoft Word, Excel) and display Help screens



### IMPULSE•Link 4.1 WDS Includes:

- Simple to use IP address configuration utility
- Wireless modem base unit
- Wireless modem remote unit
- IMPULSE•Link 4.1 WDS Software & Hardware Key



For more information, contact Magnetek Material Handling or your local Magnetek Sales Representative.



N49 W13650 Campbell Drive  
Menomonee Falls, WI 53051  
Toll-Free Phone 800.288.8178  
Toll-Free Fax 800.298.3503  
Phone 262.783.3500  
Fax 262.783.3510

WWW.MAGNETEKM.H.COM

Pub No. omnipulsedianostictools\_08

© Magnetek, Inc. 2008