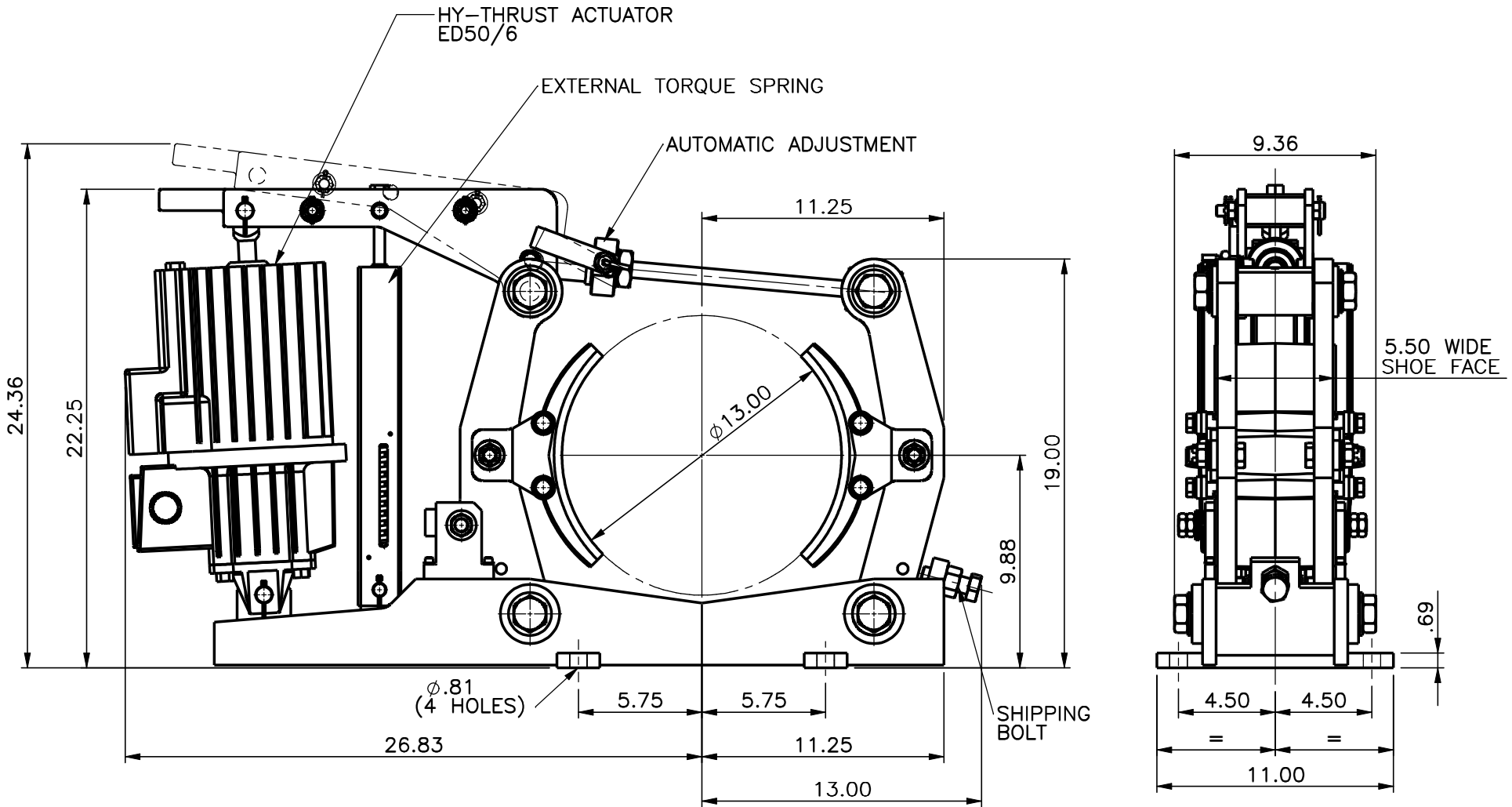
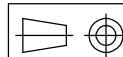


This document is the confidential property of "MONDEL ENGINEERING". This is an unpublished work subject to trade secret and copyright protection. This data disclosed herein is subject to return upon demand and is not to be reproduced, used or disclosed in whole or in part without the prior written consent of "MONDEL ENGINEERING"



13MBTE-0550-AA-ED50 BRAKE
 ED50/6-A
 EXTERNAL TORQUE SPRING
 230/460/3/60HZ
 AUTO ADJUST
 MAX TORQUE 550 LB.FT.

NOTE: DISCARD SHIPPING BOLT PRIOR TO INSTALLATION.




NEXT ASSY:- XXXXXX

DECIMAL PLACE		
(1) PLACE	0.0	± 0.040"
(2) PLACE	0.00	± 0.020"
(3) PLACE	0.000	± 0.010"
(4) PLACE	0.0000	± 0.005"

EXCEPTIONS:
 ○ TOLERANCE BELOW 0.005" TO BE SHOWN TO UPPER AND LOWER LIMIT.
 ◎ ▽ = INDICATES USE OF DECIMAL PLACE TOLERANCE OTHER THAN INDICATED BY ORIGINAL DECIMAL DIMENSION.
 ▽ AS 0.25" - (USE ONE DECIMAL PLACE TOL.)

GENERAL TOLERANCES NOTES

NO.	REVISION	BY	DATE
 MAGNETEK UNCOMMON POWER Mondel Engineering			
TITLE: 13MBTE-0550-AA-ED50 BRAKE			
DRAWN: JWU	DATE: 5/29/2010	DWG NO.	REV NO.
CHECK'D: ---	DATE: ---	102236	0
APPR'D: ---	SCALE: 1:7	WEIGHT: -- Lbs.	ASS'Y: ---